

TANKLESS RACK SYSTEM™ SUBMITTAL SHEET: WALL-MOUNT/WALL HANGING RACK



Job Name: _____

Location: _____

Architect/Engineer: _____

Wholesaler: _____

Model No.:	Gas Type:	Total System Btu/h:
------------	-----------	---------------------

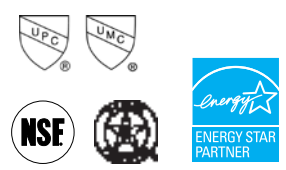
Notes: _____

FEATURES AND BENEFITS

- | | |
|--|--|
| <ul style="list-style-type: none"> • Ultra-efficient condensing technology • Thermal Efficiency 97% • Modulating technology with up to 318:1 Turndown <ul style="list-style-type: none"> • 15,000 Btu/h to 4.8 Million Btu/h • 0.26 gpm to 235 GPM hot water flow range • Ultra Low NO_x - Complies with South Coast Air Quality Management District 14 ng/J or 20 ppm NO_x emission levels • Sealed Combustion • Venting Options: <ul style="list-style-type: none"> • Common Vent System PPTI, 8 units up to 150 feet • Concentric PPs - 150 ft max vent length • Dual Pipe PPs - 150 ft max vent length • PVC/CPVC - 2", 3", 4", 6" | <ul style="list-style-type: none"> • Pre-assembled rack with CU199 indoor or outdoor water heaters installed • Wall-mount or free-standing/floor mount options • Powder coated black iron gas pipe and copper water manifolds • Commercial controller available for hot water temperatures between 98°F and 185°F • Flexible stainless steel pipe connections from hot and cold manifold/water heater connections • Individual drain tee/drip leg on gas connection for each water heater • Marine grade powdered coated aluminum frame • TRS fits through standard 32" doorway • Lifting eyebolts on free-standing racks • Isolation and pressure relief valves included and installed on each water heater |
|--|--|

OPTIONS

Natural Gas	Wall Mount Rack	Cascade Cable (up to 24 units)
Propane		EZConnect® (for 2 units only)



Configurations

TRS configurations and part numbers are listed in the following tables.

WALL-HANGING RACKS





CU Series			
Part No.*	Rack type	Configuration	Illustration
TRW02CUiN	2-unit interior wall-hanging rack, NG		
TRW02CUeN	2-unit exterior wall-hanging rack, NG		
TRW02CUiP	2-unit interior wall-hanging rack, LP		
TRW02CUeP	2-unit exterior wall-hanging rack, LP		
TRW23CUiN	2-unit interior wall-hanging rack, NG		
TRW23CUeN	2-unit exterior wall-hanging rack, NG		
TRW23CUiP	2-unit interior wall-hanging rack, LP		
TRW23CUeP	2-unit exterior wall-hanging rack, LP		
TRW03CUiN	3-unit interior wall-hanging rack, NG		
TRW03CUeN	3-unit exterior wall-hanging rack, NG		
TRW03CUiP	3-unit interior wall-hanging rack, LP		
TRW03CUeP	3-unit exterior wall-hanging rack, LP		

SE Series			
Part No.*	Rack type	Configuration	Illustration
TRW02SEiN	2-unit interior wall-hanging rack, NG RUC		
TRW02SEeN	2-unit exterior wall-hanging rack, NG RUC		
TRW02SEiP	2-unit interior wall-hanging rack, LP RUC		
TRW02SEeP	2-unit exterior wall-hanging rack, LP RUC		

SE+ Series Featuring ThermaCirc360™			ThermaCirc360™ Wait less. Waste less.
Part No.*	Rack type	Configuration	Illustration
TRW02STiN	2-unit interior wall-hanging rack, NG		
TRW02STeN	2-unit exterior wall-hanging rack, NG		
TRW02STiP	2-unit interior wall-hanging rack, LP		
TRW02STeP	2-unit exterior wall-hanging rack, LP		
TRW03STiN	3-unit interior wall-hanging rack, NG		
TRW03STeN	3-unit exterior wall-hanging rack, NG		
TRW03STiP	3-unit interior wall-hanging rack, LP		
TRW03STeP	3-unit exterior wall-hanging rack, LP		

* Part No. Legend: TR = Tankless Rack; W = Wall Hanging; S = Stand Alone; IL = Inline; ILW = Inline Wall Mount; 2/3/4/5/6 = Number of Water Heaters; i/e = Interior/Exterior; NG/LP = Natural Gas/Liquid Propane






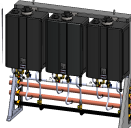
Wall Hanging Configurations (Continued)

HE+ Series			
Part No.*	Rack type	Configuration	Illustration
TRW02HEiN	2-unit interior wall-hanging rack, NG ^[1]		
TRW02HEXiN	2-unit interior wall-hanging rack, NG ^[2]		
TRW02HEeN	2-unit exterior wall-hanging rack, NG		
TRW02HEiP	2-unit interior wall-hanging rack, LP		
TRW02HEeP	2-unit exterior wall-hanging rack, LP		
TRW03HEiN	3-unit interior wall-hanging rack, NG ^[1]		
TRW03HEXiN	3-unit interior wall-hanging rack, NG ^[2]		
TRW03HEeN	3-unit exterior wall-hanging rack, NG		
TRW03HEiP	3-unit interior wall-hanging rack, LP		
TRW03HEeP	3-unit exterior wall-hanging rack, LP		

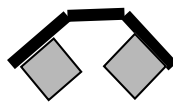

^[1] For use with Rinnai RL94i Tankless Water Heaters.

^[2] For use with Rinnai RLX94i Tankless Water Heaters.

WALL-MOUNT RACKS

Part No.*	Rack type	Configuration	Illustration
TRS02ILWCUiN	2-unit interior wall-mount rack, NG		
TRS02ILWCUeN	2-unit exterior wall-mount rack, NG		
TRS02ILWCUiP	2-unit interior wall-mount rack, LP		
TRS02ILWCUeP	2-unit exterior wall-mount rack, LP		
TRS23ILWCUiN	2-unit interior wall-mount rack, NG		
TRS23ILWCUeN	2-unit exterior wall-mount rack, NG		
TRS23ILWCUiP	2-unit interior wall-mount rack, LP		
TRS23ILWCUeP	2-unit exterior wall-mount rack, LP		
TRS03ILWCUiN	3-unit interior wall-mount rack, NG		
TRS03ILWCUeN	3-unit exterior wall-mount rack, NG		
TRS03ILWCUiP	3-unit interior wall-mount rack, LP		
TRS03ILWCUeP	3-unit exterior wall-mount rack, LP		

CORNER-HANGING RACKS

Part No.*	Rack type	Configuration	Illustration
TRC02CUiN	2-unit interior corner-hanging rack, NG		
TRC02CUiP	2-unit interior corner-hanging rack, LP		

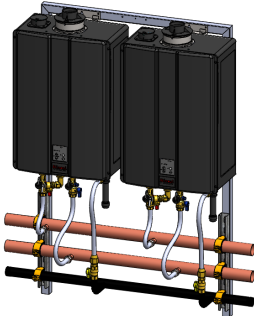
* Part No. Legend: TR = Tankless Rack; W = Wall Hanging; S = Stand Alone; IL = Inline; ILW = Inline Wall Mount; 2/3/4/5/6 = Number of Water Heaters; i/e = Interior/Exterior; NG/LP = Natural Gas/Liquid Propane

Specifications

WALL-HANGING RACKS

Available Configurations

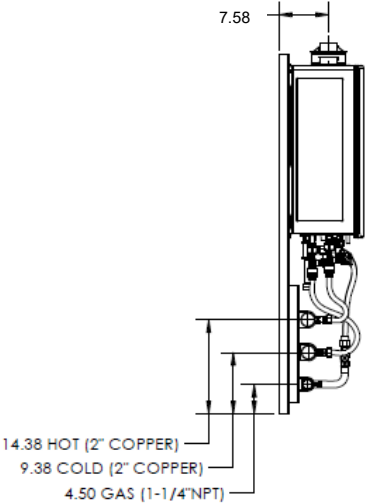
- 2-Units
- 3-Units



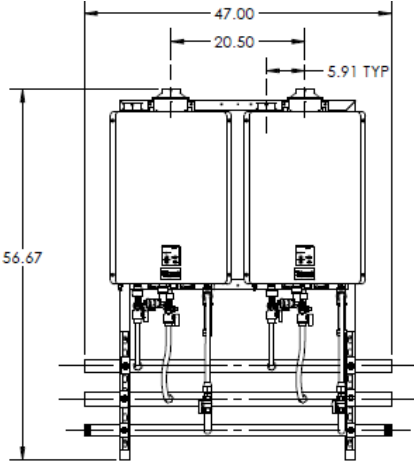
CU Series

2-Unit
Wall-Hanging Frame

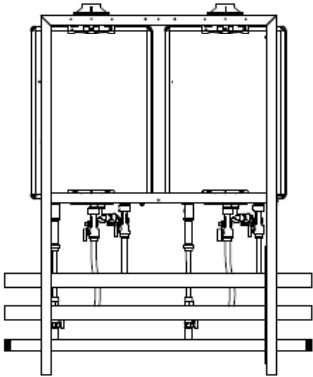
LEFT



FRONT



BACK

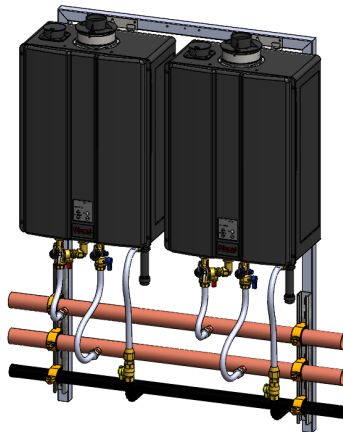


Model	Configuration	Illustration
TRW02CU		

CU Series 2-Unit Wall-Hanging Frame (Continued)

Model	TRW02CUi	TRWCU02CUe
Water Heater Model	CU199i (NG/LP)	CU199e (NG/LP)
Crate Dimensions (HxLxD) - in	66 x 70 x 35	
Weight - Fully Assembled - lbs	170	169
Weight - Shipping (total) - lbs	380	379
Rack Frame - Specifications		
Frame Material	14 Gauge Hot Rolled Steel 1.5" Square Tube	16 Gauge Stainless Steel 1.5" Square Tube
Frame Finish	Powder Coat	Stainless
Color	Gray	Stainless
Water & Gas Connections		
Hot Water Trunk Line Diameter	2"	
Cold Water Trunk Line Diameter	2"	
Hot Water Trunk Line Material	Rigid Copper	
Cold Water Trunk Line Material	Rigid Copper	
Water Trunk Connection Type	2" Pipe	
Gas Trunk Line Diameter	1-1/4"	
Gas Trunk Connection Type	1-1/4" MNPT	
Gas Trunk Line Material	Sch 40 Steel	
Gas Branch Line Material	PVC Over CSST	
Electric Requirements		
Voltage	AC 120 Volts—60 Hz	
Maximum Current (Amperes)	8	
BTU and Flow Rates for C199i, CU199e (NG/LP)		
Number of Tankless Water Heaters	2	
Flow rate @ 70°F rise (gpm)	10.8	
Flow rate @ 100°F rise (gpm)	7.6	
Minimum input rate (Btuh)	15,200	
Maximum input rate (Btuh)	398,000	

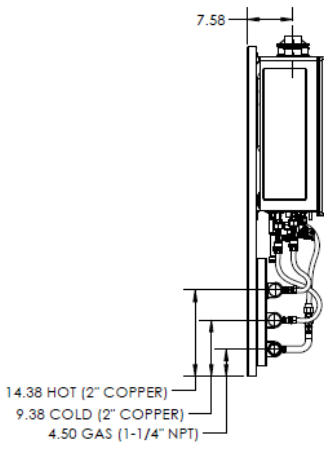
TRW02CU



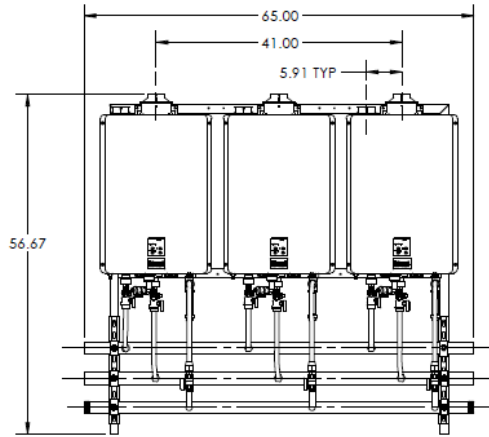
CU Series

**3-Unit
Wall-Hanging Frame**

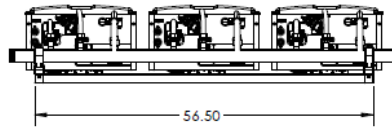
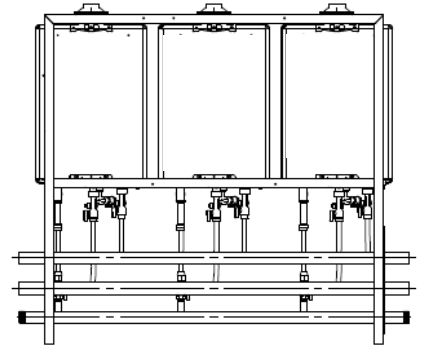
LEFT



FRONT



BACK



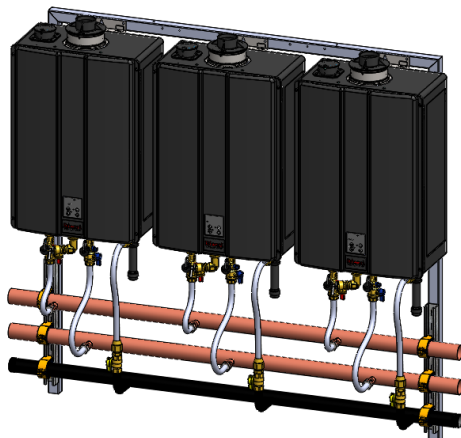
BOTTOM

Model	Configuration	Illustration
TRW03CU		
TRW23CU		

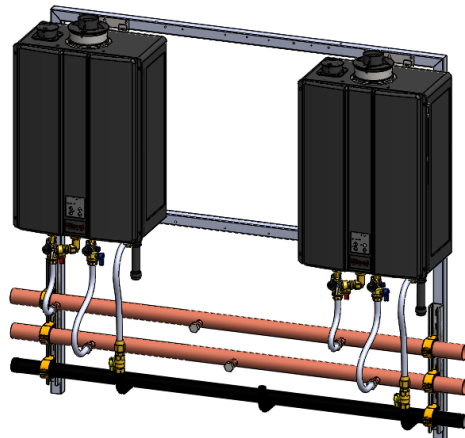
CU Series 3-Unit Wall-Hanging Frame (Continued)

Model	TRW03CUi	TRW03CUE	TRW23CUi	TRW23CUE
Water Heater Model	CU199i (NG/LP)	CU199e (NG/LP)	CU199i (NG/LP)	CU199e (NG/LP)
Crate Dimensions (HxLxD) - in	66 x 70 x 35		66 x 70 x 35	
Weight - Fully Assembled - lbs	248	244	186	183
Weight - Shipping (total) - lbs	469	465	407	402
Rack Frame - Specifications				
Frame Material	14 Gauge Hot Rolled Steel 1.5" Square Tube	16 Gauge Stainless Steel 1.5" Square Tube	14 Gauge Hot Rolled Steel 1.5" Square Tube	16 Gauge Stainless Steel 1.5" Square Tube
Frame Finish	Powder Coat	Stainless	Powder Coat	Stainless
Color	Gray	Stainless	Gray	Stainless
Water & Gas Connections				
Hot Water Trunk Line Diameter	2"			
Cold Water Trunk Line Diameter	2"			
Hot Water Trunk Line Material	Rigid Copper			
Cold Water Trunk Line Material	Rigid Copper			
Water Trunk Connection Type	2" PIPE			
Gas Trunk Line Diameter	1-1/4"			
Gas Trunk Connection Type	1-1/4" MNPT			
Gas Trunk Line Material	Sch 40 Steel			
Gas Branch Line Material	PVC Over CSST			
Electric Requirements				
Voltage	AC 120 Volts—60 Hz			
Maximum Current (Amperes)	12		8	
BTU and Flow Rates for CU199i, CU199e (NG/LP)				
Number of Tankless Water Heaters	3		2	
Flow rate @ 70°F rise (gpm)	16.2		10.8	
Flow rate @ 100°F rise (gpm)	11.4		7.6	
Minimum input rate (Btuh)	15,200		15,200	
Maximum input rate (Btuh)	597,000		398,000	

TRW03CU



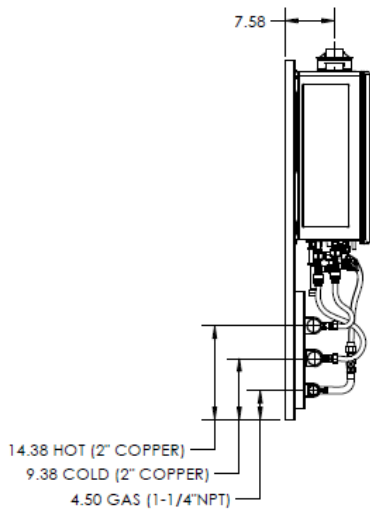
TRW23CU



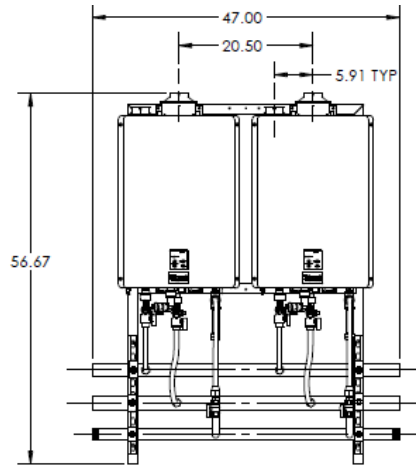
SE Series

2-Unit
Wall-Hanging Frame

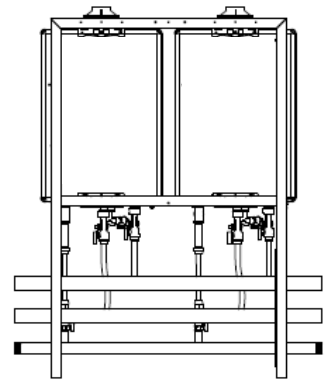
LEFT





FRONT



BACK



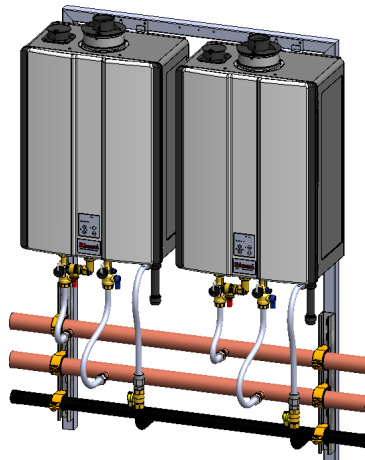
BOTTOM

Model	Configuration	Illustration
TRW02SE		

SE Series 2-Unit Wall-Hanging Frame (Continued)

Model	TRW02SEi	TRW02SEe
Water Heater Model	RU199i (NG/LP)	RU199e (NG/LP)
Crate Dimensions (HxLxD) - in	66 X 70 X 35	
Weight - Fully Assembled - lbs	170	169
Weight - Shipping (total) - lbs	391	390
Rack Frame - Specifications		
Frame Material	14 Gauge Hot Rolled Steel 1.5" Square Tube	16 Gauge Stainless Steel 1.5" Square Tube
Frame Finish	Powder Coat	Stainless
Color	Gray	Stainless
Water & Gas Connections		
Hot Water Trunk Line Diameter	2"	
Cold Water Trunk Line Diameter	2"	
Hot Water Trunk Line Material	Rigid Copper	
Cold Water Trunk Line Material	Rigid Copper	
Water Trunk Connection Type	2" PIPE	
Gas Trunk Line Diameter	1-1/4"	
Gas Trunk Connection Type	1-1/4" MNPT	
Gas Trunk Line Material	Sch 40 Steel	
Gas Branch Line Material	PVC Over CSST	
Electric Requirements		
Voltage	AC 120 Volts—60 Hz	
Maximum Current (Amperes)	8	
BTU and Flow Rates for RU199i, RU199e (NG/LP)		
Number of Tankless Water Heaters	2	
Flow rate @ 70°F rise (gpm)	10.8	
Flow rate @ 100°F rise (gpm)	7.6	
Minimum input rate (Btuh)	15,200	
Maximum input rate (Btuh)	398,000	

TRW02SE

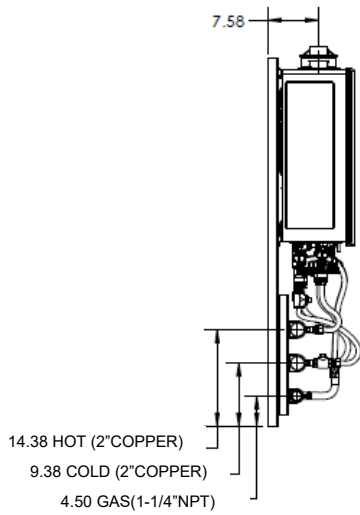


SE+ Series Featuring ThermaCirc360™

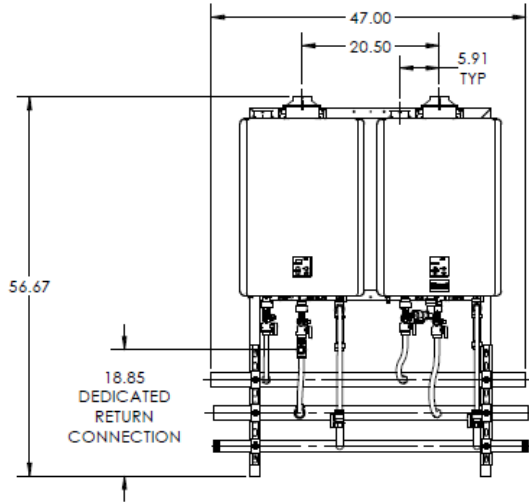
ThermaCirc360™
 Wait less. Waste less.

**2-Unit
 Wall-Hanging Frame**

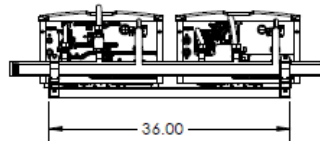
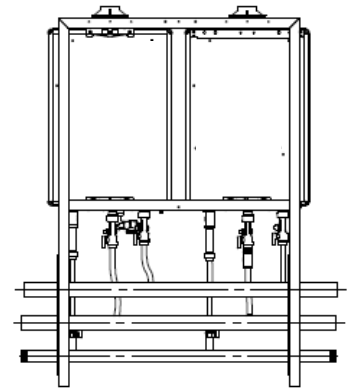
LEFT



FRONT



BACK



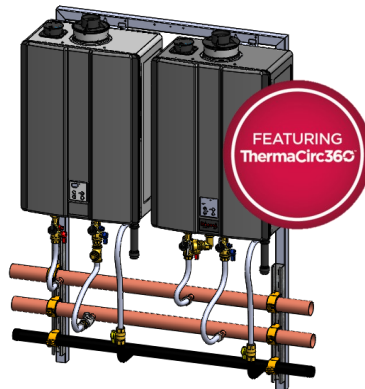
BOTTOM

Model	Configuration	Illustration
TRW02ST		

SE+ Series Featuring ThermaCirc360™ 2-Unit Wall-Hanging Frame (Continued)

Model	TRW02STi	TRW02STe
Water Heater Model	RUR199i AND RU199i (NG/LP)	RUR199e AND RU199e (NG/LP)
Crate Dimensions (HxLxD) - in	66 X 70 X 35	
Weight - Fully Assembled - lbs	178	177
Weight - Shipping (total) - lbs	399	398
Rack Frame - Specifications		
Frame Material	14 Gauge Hot Rolled Steel 1.5" Square Tube	16 Gauge Stainless Steel 1.5" Square Tube
Frame Finish	Powder Coat	Stainless
Color	Gray	Stainless
Water & Gas Connections		
Hot Water Trunk Line Diameter	2"	
Cold Water Trunk Line Diameter	2"	
Hot Water Trunk Line Material	Rigid Copper	
Cold Water Trunk Line Material	Rigid Copper	
Water Trunk Connection Type	2" PIPE	
Gas Trunk Line Diameter	1-1/4"	
Gas Trunk Connection Type	1-1/4" MNPT	
Gas Trunk Line Material	Sch 40 Steel	
Gas Branch Line Material	PVC Over CSST	
Electric Requirements		
Voltage	AC 120 Volts—60 Hz	
Maximum Current (Amperes)	8	
BTU and Flow Rates for RUR199i, RUR199e, RU199i, RU199e (NG/LP)		
Number of Tankless Water Heaters	2	
Flow rate @ 70°F rise (gpm)	10.8	
Flow rate @ 100°F rise (gpm)	7.6	
Minimum input rate (Btuh)	15,200	
Maximum input rate (Btuh)	398,000	

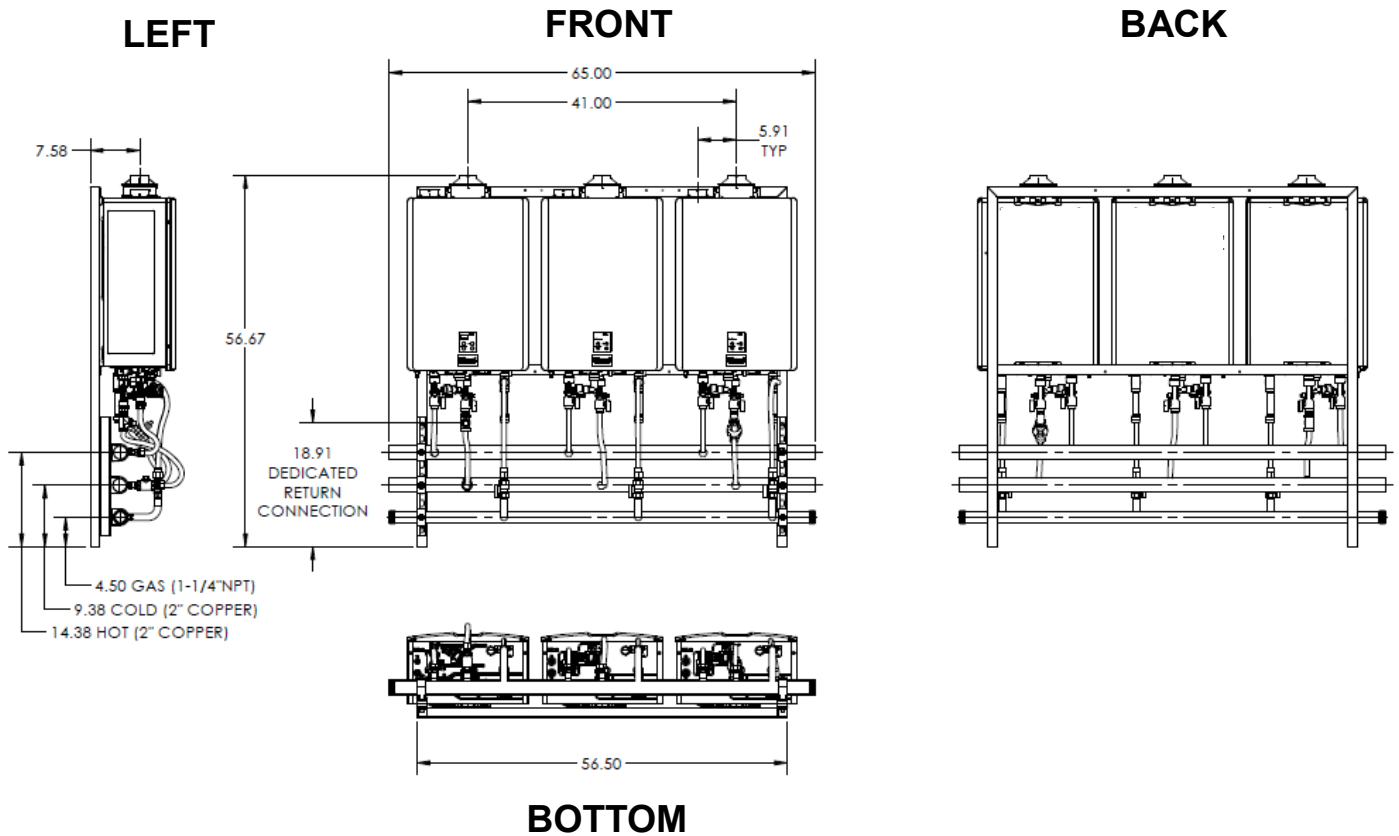
TRW02ST



SE+ Series Featuring ThermaCirc360™



**3-Unit
Wall-Hanging Frame**

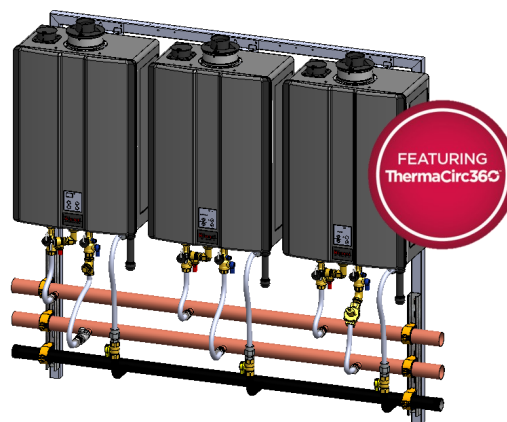


Model	Configuration	Illustration
TRW03ST		

SE+ Series Featuring ThermaCirc360™ 3-Unit Wall-Hanging Frame (Continued)

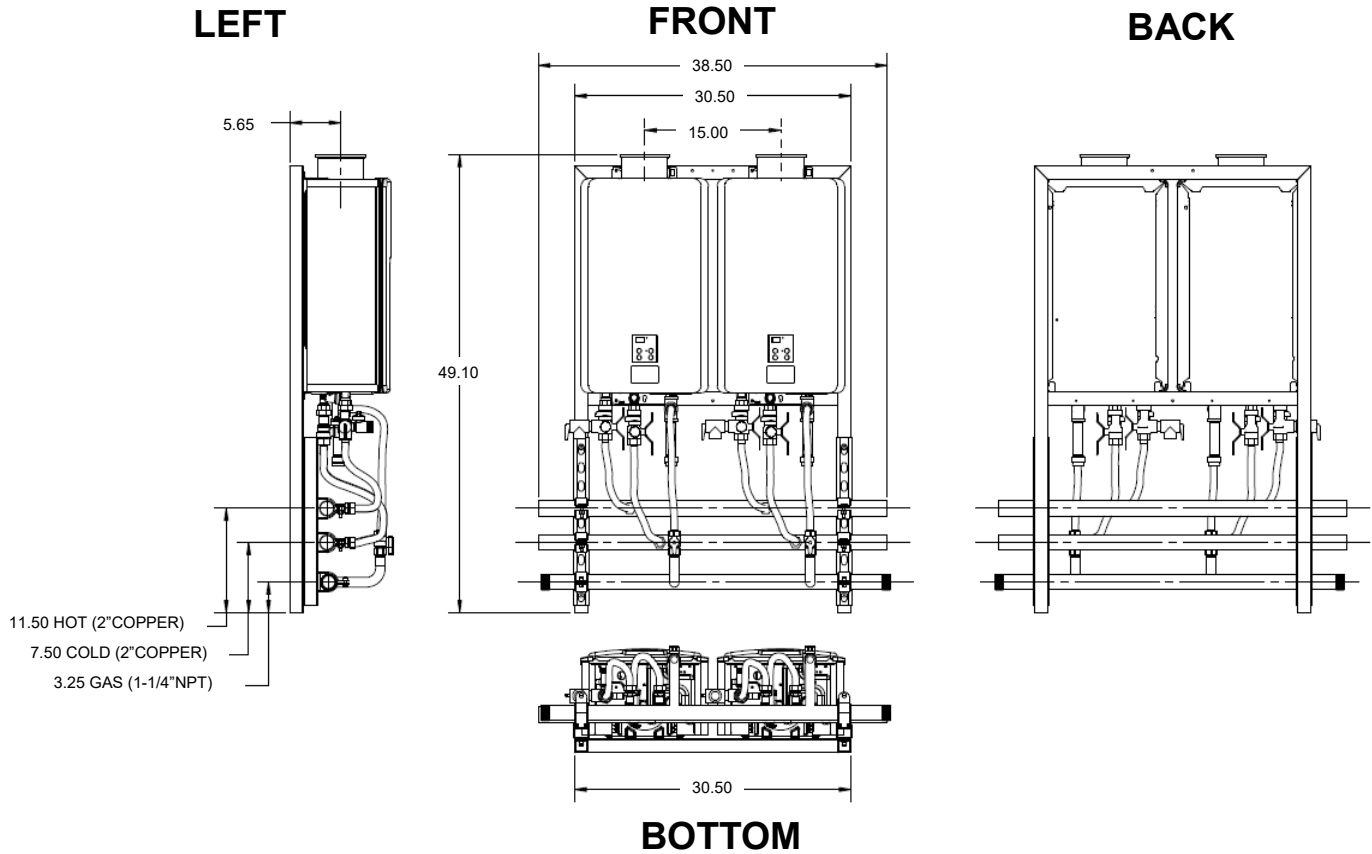
Model	TRW03STi	TRW03STe
Water Heater Model	RUR199i AND RU199i (NG/LP)	RUR199e AND RU199e (NG/LP)
Crate Dimensions (HxLxD) - in	66 x 70 x 35	
Weight - Fully Assembled - lbs	258	254
Weight - Shipping (total) - lbs	476	472
Rack Frame - Specifications		
Frame Material	14 Gauge Hot Rolled Steel 1.5" Square Tube	16 Gauge Stainless Steel 1.5" Square Tube
Frame Finish	Powder Coat	Stainless
Color	Gray	Stainless
Water & Gas Connections		
Hot Water Trunk Line Diameter	2"	
Cold Water Trunk Line Diameter	2"	
Hot Water Trunk Line Material	Rigid Copper	
Cold Water Trunk Line Material	Rigid Copper	
Water Trunk Connection Type	2" PIPE	
Gas Trunk Line Diameter	1-1/4"	
Gas Trunk Connection Type	1-1/4" MNPT	
Gas Trunk Line Material	Sch 40 Steel	
Gas Branch Line Material	PVC Over CSST	
Electric Requirements		
Voltage	AC 120 Volts—60 Hz	
Maximum Current (Amperes)	12	
BTU and Flow Rates for RUR199i, RUR199e, RU199i, RU199e (NG/LP)		
Number of Tankless Water Heaters	3	
Flow rate @ 70°F rise (gpm)	16.2	
Flow rate @ 100°F rise (gpm)	11.4	
Minimum input rate (Btuh)	15,200	
Maximum input rate (Btuh)	597,000	

TRW03ST



HE Series

2-Unit
Wall-Hanging Frame

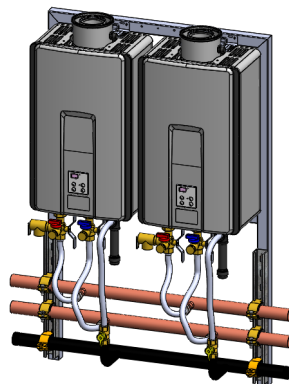


Model	Configuration	Illustration
TRW02HE		

HE Series 2-Unit Wall-Hanging Frame (Continued)

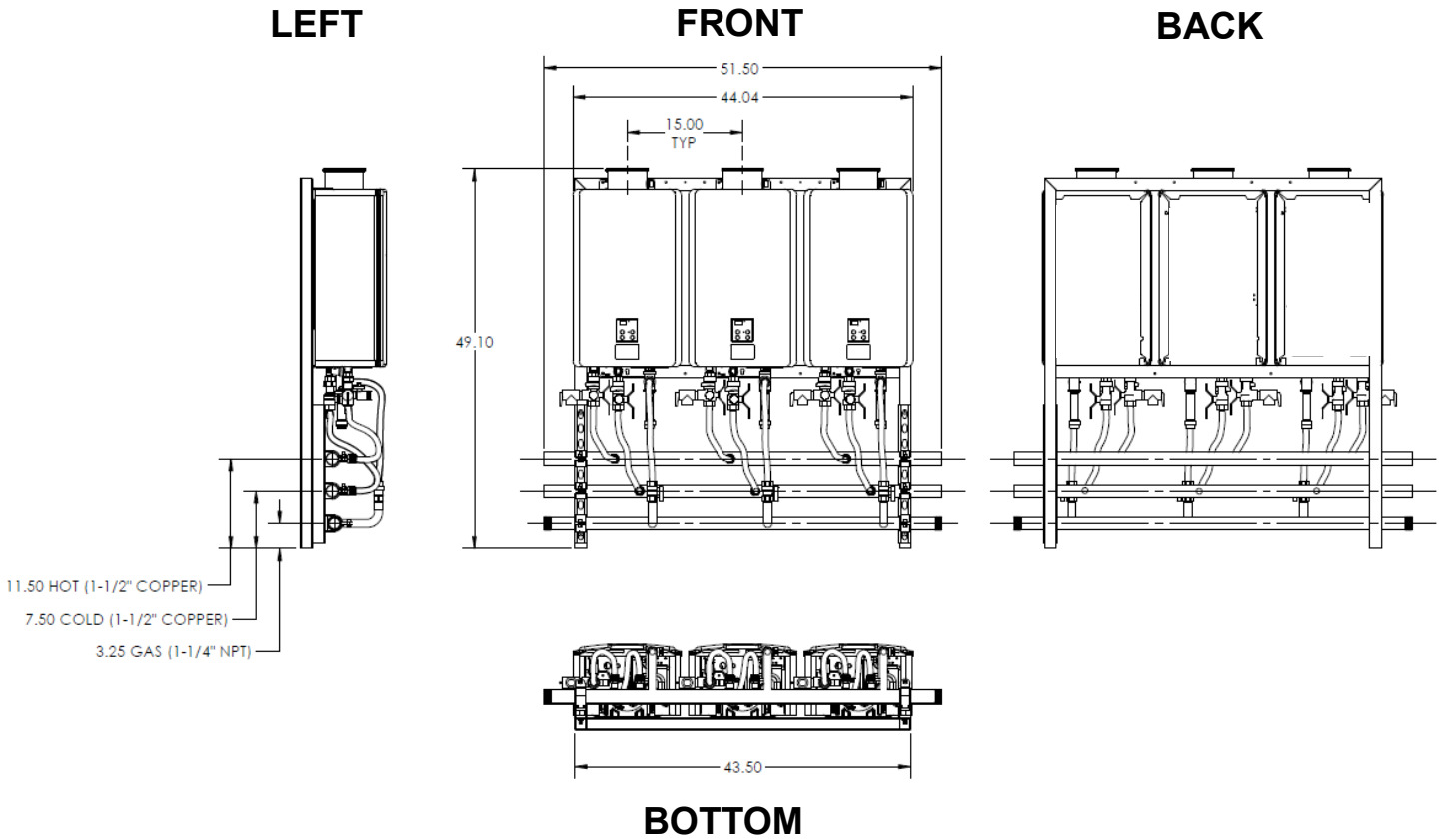
Model	TRW02HEi	TRW02HEXi	TRW02HEe
Water Heater Model	RL94i (NG/LP)	RLX94i (NG)	RL94e (NG/LP)
Crate Dimensions (HxLxD) - in	66 x 67 x 35		
Weight - Fully Assembled - lbs	120	120	120
Weight - Shipping (total) - lbs	334	334	334
Rack Frame - Specifications			
Frame Material	14 Gauge Hot Rolled Steel 1.5" Square Tube		16 Gauge Stainless Steel 1.5" Square Tube
Frame Finish	Powder Coat		Stainless
Color	Gray		Stainless
Water & Gas Connections			
Hot Water Trunk Line Diameter	1-1/2"		
Cold Water Trunk Line Diameter	1-1/2"		
Hot Water Trunk Line Material	Rigid Copper		
Cold Water Trunk Line Material	Rigid Copper		
Water Trunk Connection Type	1-1/2" PIPE		
Gas Trunk Line Diameter	1-1/4"		
Gas Trunk Connection Type	1-1/4" MNPT		
Gas Trunk Line Material	Sch 40 Steel		
Gas Branch Line Material	PVC Over CSST		
Electric Requirements			
Voltage	AC 120 Volts—60 Hz		
Maximum Current (Amperes)	8		
BTU and Flow Rates for RL94i, RLX94i, RL94e (NG/LP)			
Number of Tankless Water Heaters	2	2	2
Flow rate @ 70°F rise (gpm)	9.5	9	9.5
Flow rate @ 100°F rise (gpm)	6.6	6.3	6.6
Minimum input rate (Btuh)	10,300	10,300	10,300
Maximum input rate (Btuh)	398,000	384,000	398,000



TRW02HE / TRW02HEX



HE Series

**3-Unit
Wall-Hanging Frame**

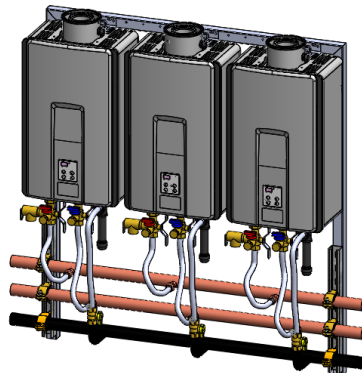


Model	Configuration	Illustration
TRW03HE		

HE Series 3-Unit Wall-Hanging Frame (Continued)

Model	TRW03HEi	TRW03HEXi	TRW03HEe
Water Heater Model	RL94i (NG/LP)	RLX94i (NG)	RL94e (NG/LP)
Crate Dimensions (HxLxD) - in	66 x 67 x 35		
Weight - Fully Assembled - lbs	160	160	160
Weight - Shipping (total) - lbs	374	374	374
Rack Frame - Specifications			
Frame Material	14 Gauge Hot Rolled Steel 1.5" Square Tube		16 Gauge Stainless Steel 1.5" Square Tube
Frame Finish	Powder Coat		Stainless
Color	Gray		Stainless
Water & Gas Connections			
Hot Water Trunk Line Diameter	1-1/2"		
Cold Water Trunk Line Diameter	1-1/2"		
Hot Water Trunk Line Material	Rigid Copper		
Cold Water Trunk Line Material	Rigid Copper		
Water Trunk Connection Type	1-1/2" PIPE		
Gas Trunk Line Diameter	1-1/4"		
Gas Trunk Connection Type	1-1/4" MNPT		
Gas Trunk Line Material	Sch 40 Steel		
Gas Branch Line Material	PVC Over CSST		
Electric Requirements			
Voltage	AC 120 Volts—60 Hz		
Maximum Current (Amperes)	12		
BTU and Flow Rates for RL94i, RLX94i, RL94e (NG/LP)			
Number of Tankless Water Heaters	3	3	3
Flow rate @ 70°F rise (gpm)	14	13.5	14
Flow rate @ 100°F rise (gpm)	9.8	9.4	9.8
Minimum input rate (Btuh)	10,300	10,300	10,300
Maximum input rate (Btuh)	597,000	576,000	597,000

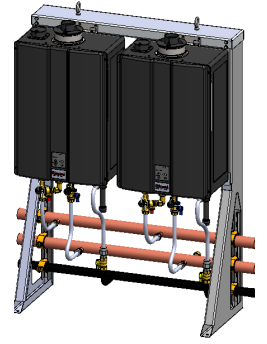
TRW03HE / TRW03HEX



WALL-MOUNT RACKS

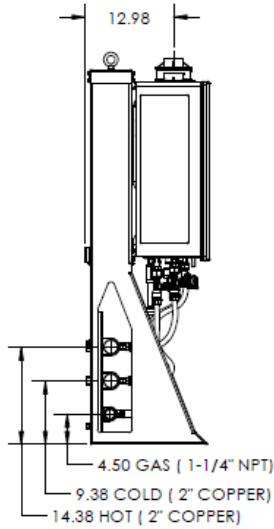
Available Configurations

- 2-Units
- 3-Units

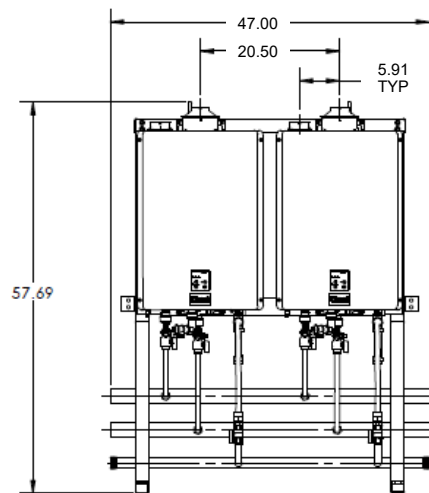


2-Unit Wall-Mount Frame

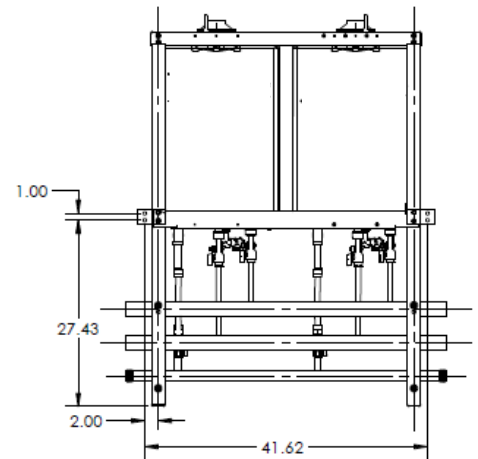
LEFT



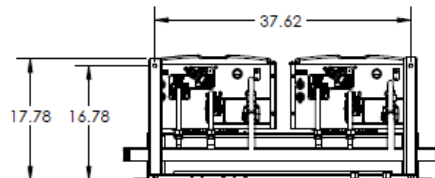
FRONT



BACK



BOTTOM

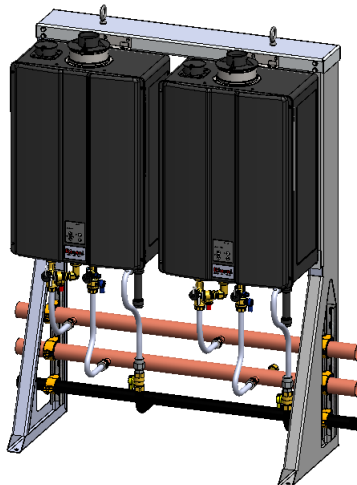


Model	Configuration	Illustration
TRS02ILWCU		

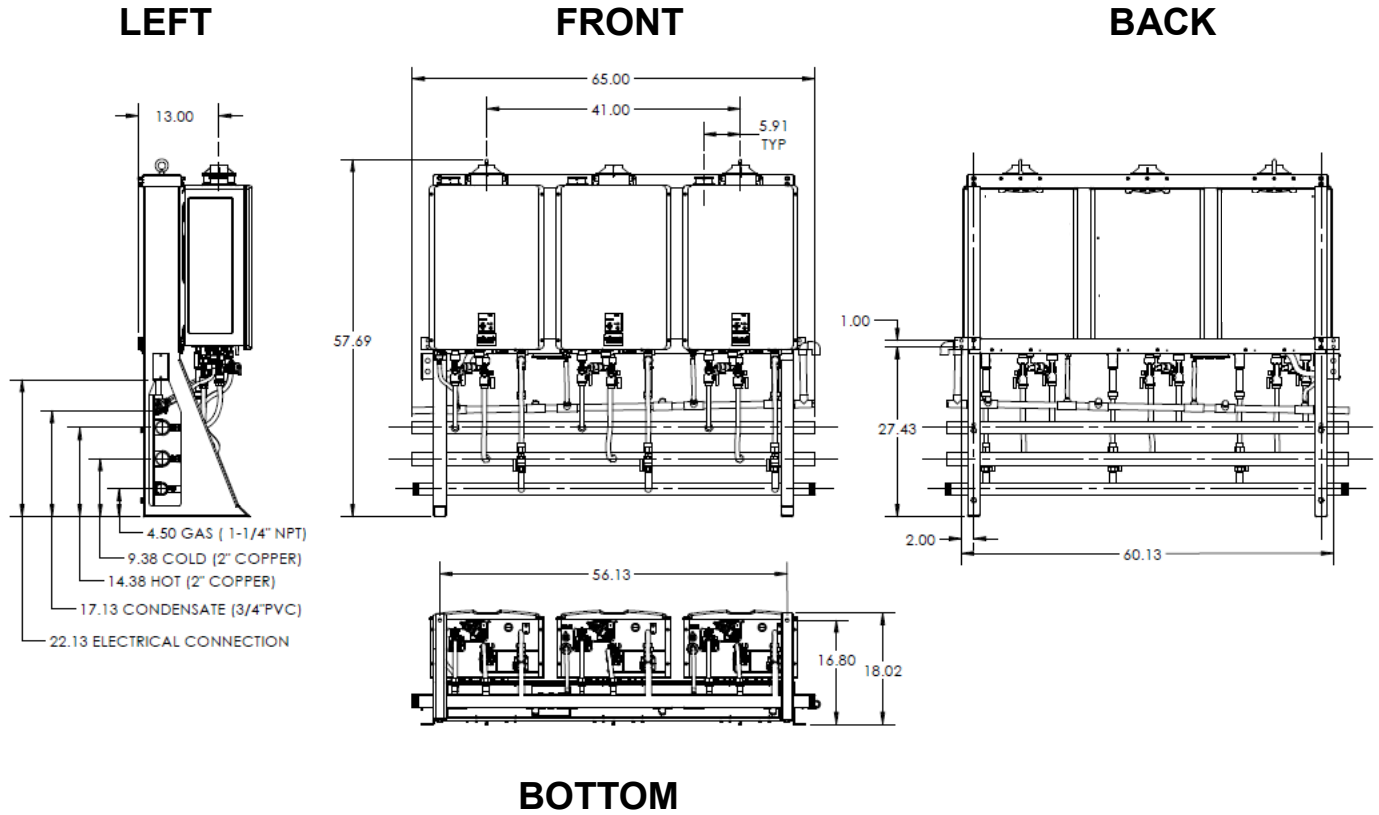
2-Unit Wall-Mount Frame (Continued)

Model	TRS02ILWCU
Water Heater Model	CU199i, CU199e (NG/LP)
Crate Dimensions (HxLxD) - in	66 x 70x 35
Weight - Fully Assembled - lbs	208
Weight - Shipping (total) - lbs	410
Rack Frame - Specifications	
Frame Rail Type	Sheet Metal
Frame Material	Aluminum (0.090 5052-H32)
Frame Finish	Powder Coat
Color	Gray
Water & Gas Connections	
Hot Water Trunk Line Diameter	2"
Cold Water Trunk Line Diameter	2"
Hot Water Trunk Line Material	Rigid Copper
Cold Water Trunk Line Material	Rigid Copper
Water Trunk Connection Type	2" PIPE
Gas Trunk Line Diameter	1-1/4"
Gas Trunk Connection Type	1-1/4" MNPT
Gas Trunk Line Material	Sch 40 Steel
Gas Branch Line Material	PVC Over CSST
Electric Requirements	
Voltage	AC 120 Volts—60 Hz
Maximum Current (Amperes)	8
BTU and Flow Rates for CU199i, CU199e (NG/LP)	
Number of Tankless Water Heaters	2
Flow rate @ 70°F rise (gpm)	10.8
Flow rate @ 100°F rise (gpm)	7.6
Minimum input rate (Btuh)	15,200
Maximum input rate (Btuh)	398,000

TRS02ILWCU



3-Unit Wall-Mount Frame

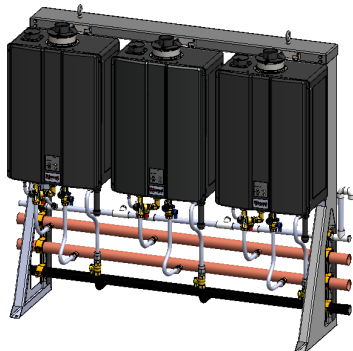


Model	Configuration	Illustration
TRS031LWCU		
TRS231LWCU		

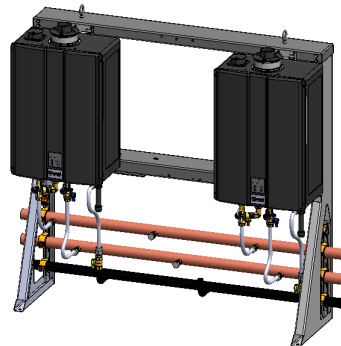
3-Unit Wall-Mount Frame (Continued)

Model	TRS03ILWCU	TRS23ILWCU
Water Heater Model	CU199i, CU199e (NG/LP)	
Crate Dimensions (HxLxD) - in	66 x 70 x 35	
Weight - Fully Assembled - lbs	297	222
Weight - Shipping (total) - lbs	497	424
Rack Frame - Specifications		
Frame Rail Type	Sheet Metal	
Frame Material	Aluminum (0.090 5052-H32)	
Frame Finish	Powder Coat	
Color	Gray	
Water, Gas, and Condensate Connections		
Hot Water Trunk Line Diameter	2"	
Cold Water Trunk Line Diameter	2"	
Hot Water Trunk Line Material	Rigid Copper	
Cold Water Trunk Line Material	Rigid Copper	
Water Trunk Connection Type	2" PIPE	
Gas Trunk Line Diameter	1-1/4"	
Gas Trunk Connection Type	1-1/4" MNPT	
Gas Trunk Line Material	Sch 40 Steel	
Gas Branch Line Material	PVC Over CSST	
Condensate Trunk Line Diameter	3/4"	N/A
Condensate Trunk Line Material	Sch-40 PVC	N/A
Condensate Trunk Connection Type	3/4" Pipe	N/A
Electric Requirements		
Prewired Electrical Assembly	Yes (Indoor Models Only)	N/A
Voltage	AC 120 Volts—60 Hz	
Maximum Current (Amperes)	12	8
BTU and Flow Rates for CU199i, CU199e (NG/LP)		
Number of Tankless Water Heaters	3	2
Flow rate @ 70°F rise (gpm)	16.2	10.8
Flow rate @ 100°F rise (gpm)	11.4	7.6
Minimum input rate (Btuh)	15,200	15,200
Maximum input rate (Btuh)	597,000	398,000

TRS03ILWCU



TRS23ILWCU



NOTES



Learn more about Rinnai high-performance Tankless Water Heaters, Hybrid Water Heating Systems, Boilers, Vent-Free Fan Convectors and EnergySaver® Direct Vent Wall Furnaces at:

rinnai.us | rinnai.ca

Rinnai®

Rinnai America Corporation • 103 International Drive, Peachtree City, GA 30269
1-800-621-9419 • rinnai.us

©2018 Rinnai America Corporation. Rinnai America Corporation continually updates materials, and as such, content is subject to change without notice.
Local, state, provincial, federal and national fuel gas codes must be adhered to prior to and upon installation.