

Job Name: \_\_\_\_\_

Location: \_\_\_\_\_

Architect/Engineer: \_\_\_\_\_

Wholesaler: \_\_\_\_\_

Model No.:	Gas Type:	Total System Btu/h:
------------	-----------	---------------------

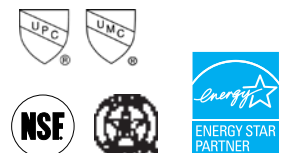
Notes: \_\_\_\_\_

## FEATURES AND BENEFITS

- Ultra-efficient condensing technology
- Thermal Efficiency 97%
- Modulating technology with up to 318:1 Turndown
  - 15,000 Btu/h to 4.8 Million Btu/h
  - 0.26 gpm to 235 GPM hot water flow range
- Ultra Low NO<sub>x</sub> - Complies with South Coast Air Quality Management District 14 ng/J or 20 ppm NO<sub>x</sub> emission levels
- Sealed Combustion
- Venting Options:
  - Common Vent System PPTI, 8 units up to 150 feet
  - Concentric PPs - 150 ft max vent length
  - Dual Pipe PPs - 150 ft max vent length
  - PVC/CPVC - 2", 3", 4", 6"
- Pre-assembled rack with CU199 indoor or outdoor water heaters installed
- Wall-mount or free-standing/floor mount options
- Powder coated black iron gas pipe and copper water manifolds
- Commercial controller available for hot water temperatures between 98°F and 185°F
- Flexible stainless steel pipe connections from hot and cold manifold/water heater connections
- Individual drain tee/drip leg on gas connection for each water heater
- Marine grade powdered coated aluminum frame
- TRS fits through standard 32" doorway
- Lifting eyebolts on free-standing racks
- Isolation and pressure relief valves included and installed on each water heater

## OPTIONS







Natural Gas	Free-standing Rack (in-line)	Cascade Cable (up to 24 units)
Propane	Free-standing Rack (back-to-back)	EZConnect® (for 2 units only)
	Wall Mount Rack	
	Corner Rack	









# Configurations

TRS configurations and part numbers are listed in the following tables.

## WALL-HANGING RACKS





CU Series			
Part No.*	Rack type	Configuration	Illustration
TRW02CUiN	2-unit interior wall-hanging rack, NG		
TRW02CUeN	2-unit exterior wall-hanging rack, NG		
TRW02CUiP	2-unit interior wall-hanging rack, LP		
TRW02CUeP	2-unit exterior wall-hanging rack, LP		
TRW23CUiN	2-unit interior wall-hanging rack, NG	- - 	
TRW23CUeN	2-unit exterior wall-hanging rack, NG		
TRW23CUiP	2-unit interior wall-hanging rack, LP		
TRW23CUeP	2-unit exterior wall-hanging rack, LP		
TRW03CUiN	3-unit interior wall-hanging rack, NG		
TRW03CUeN	3-unit exterior wall-hanging rack, NG		
TRW03CUiP	3-unit interior wall-hanging rack, LP		
TRW03CUeP	3-unit exterior wall-hanging rack, LP		

SE Series			
Part No.*	Rack type	Configuration	Illustration
TRW02SEiN	2-unit interior wall-hanging rack, NG RUC		
TRW02SEeN	2-unit exterior wall-hanging rack, NG RUC		
TRW02SEiP	2-unit interior wall-hanging rack, LP RUC		
TRW02SEeP	2-unit exterior wall-hanging rack, LP RUC		

SE+ Series Featuring ThermaCirc360™			<b>ThermaCirc360™</b> Wait less. Waste less.
Part No.*	Rack type	Configuration	Illustration
TRW02STiN	2-unit interior wall-hanging rack, NG		
TRW02STeN	2-unit exterior wall-hanging rack, NG		
TRW02STiP	2-unit interior wall-hanging rack, LP		
TRW02STeP	2-unit exterior wall-hanging rack, LP		
TRW03STiN	3-unit interior wall-hanging rack, NG	- - 	
TRW03STeN	3-unit exterior wall-hanging rack, NG		
TRW03STiP	3-unit interior wall-hanging rack, LP		
TRW03STeP	3-unit exterior wall-hanging rack, LP		

\* Part No. Legend: TR = Tankless Rack; W = Wall Hanging; S = Stand Alone; IL = Inline; ILW = Inline Wall Mount; 2/3/4/5/6 = Number of Water Heaters; i/e = Interior/Exterior; NG/LP = Natural Gas/Liquid Propane






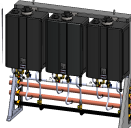
Wall Hanging Configurations (Continued)

HE+ Series			
Part No.*	Rack type	Configuration	Illustration
TRW02HEiN	2-unit interior wall-hanging rack, NG <sup>[1]</sup>		
TRW02HEXiN	2-unit interior wall-hanging rack, NG <sup>[2]</sup>		
TRW02HEeN	2-unit exterior wall-hanging rack, NG		
TRW02HEiP	2-unit interior wall-hanging rack, LP		
TRW02HEeP	2-unit exterior wall-hanging rack, LP		
TRW03HEiN	3-unit interior wall-hanging rack, NG <sup>[1]</sup>		
TRW03HEXiN	3-unit interior wall-hanging rack, NG <sup>[2]</sup>		
TRW03HEeN	3-unit exterior wall-hanging rack, NG		
TRW03HEiP	3-unit interior wall-hanging rack, LP		
TRW03HEeP	3-unit exterior wall-hanging rack, LP		

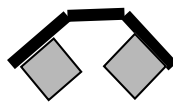

<sup>[1]</sup> For use with Rinnai RL94i Tankless Water Heaters.

<sup>[2]</sup> For use with Rinnai RLX94i Tankless Water Heaters.

## WALL-MOUNT RACKS

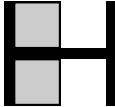









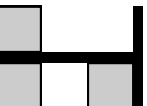
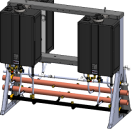
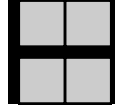

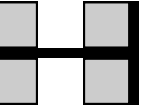
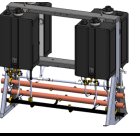
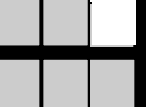
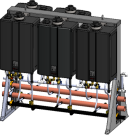
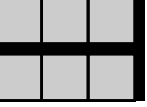
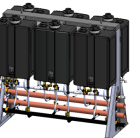
Part No.*	Rack type	Configuration	Illustration
TRS02ILWCUiN	2-unit interior wall-mount rack, NG		
TRS02ILWCUeN	2-unit exterior wall-mount rack, NG		
TRS02ILWCUiP	2-unit interior wall-mount rack, LP		
TRS02ILWCUeP	2-unit exterior wall-mount rack, LP		
TRS23ILWCUiN	2-unit interior wall-mount rack, NG		
TRS23ILWCUeN	2-unit exterior wall-mount rack, NG		
TRS23ILWCUiP	2-unit interior wall-mount rack, LP		
TRS23ILWCUeP	2-unit exterior wall-mount rack, LP		
TRS03ILWCUiN	3-unit interior wall-mount rack, NG		
TRS03ILWCUeN	3-unit exterior wall-mount rack, NG		
TRS03ILWCUiP	3-unit interior wall-mount rack, LP		
TRS03ILWCUeP	3-unit exterior wall-mount rack, LP		

## CORNER-HANGING RACKS

Part No.*	Rack type	Configuration	Illustration
TRC02CUiN	2-unit interior corner-hanging rack, NG		
TRC02CUiP	2-unit interior corner-hanging rack, LP		

\* Part No. Legend: TR = Tankless Rack; W = Wall Hanging; S = Stand Alone; IL = Inline; ILW = Inline Wall Mount; 2/3/4/5/6 = Number of Water Heaters; i/e = Interior/Exterior; NG/LP = Natural Gas/Liquid Propane

# FREE-STANDING RACKS

Part No.*	Rack type	Configuration	Illustration
TRS02CUiN	2-unit interior free-standing rack, NG	Back to Back 	
TRS02CUeN	2-unit exterior free-standing rack, NG		
TRS02CUiP	2-unit interior free-standing rack, LP		
TRS02CUeP	2-unit exterior free-standing rack, LP		
TRS02ILCUiN	2-unit INLINE interior free-standing rack, NG		
TRS02ILCUeN	2-unit INLINE exterior free-standing rack, NG		
TRS02ILCUiP	2-unit INLINE interior free-standing rack, LP		
TRS02ILCUeP	2-unit INLINE exterior free-standing rack, LP		
TRS23ILCUiN	2-unit INLINE interior free-standing rack, NG		
TRS23ILCUeN	2-unit INLINE exterior free-standing rack, NG		
TRS23ILCUiP	2-unit INLINE interior free-standing rack, LP		
TRS23ILCUeP	2-unit INLINE exterior free-standing rack, LP		
TRS03ILCUiN	3-unit INLINE interior free-standing rack, NG		
TRS03ILCUeN	3-unit INLINE exterior free-standing rack, NG		
TRS03ILCUiP	3-unit INLINE interior free-standing rack, LP		
TRS03ILCUeP	3-unit INLINE exterior free-standing rack, LP		
TRS03CUiN	3-unit interior free-standing rack, NG		
TRS03CUeN	3-unit exterior free-standing rack, NG		
TRS03CUiP	3-unit interior free-standing rack, LP		
TRS03CUeP	3-unit exterior free-standing rack, LP		
TRS36CUiN	3-unit interior free-standing rack, NG		
TRS36CUeN	3-unit exterior free-standing rack, NG		
TRS36CUiP	3-unit interior free-standing rack, LP		
TRS36CUeP	3-unit exterior free-standing rack, LP		
TRS04CUiN	4-unit interior free-standing rack, NG		
TRS04CUeN	4-unit exterior free-standing rack, NG		
TRS04CUiP	4-unit interior free-standing rack, LP		
TRS04CUeP	4-unit exterior free-standing rack, LP		
TRS46CUiN	4-unit interior free-standing rack, NG		
TRS46CUeN	4-unit exterior free-standing rack, NG		
TRS46CUiP	4-unit interior free-standing rack, LP		
TRS46CUeP	4-unit exterior free-standing rack, LP		
TRS05CUiN	5-unit interior free-standing rack, NG		
TRS05CUeN	5-unit exterior free-standing rack, NG		
TRS05CUiP	5-unit interior free-standing rack, LP		
TRS05CUeP	5-unit exterior free-standing rack, LP		
TRS06CUiN	6-unit interior free-standing rack, NG		
TRS06CUeN	6-unit exterior free-standing rack, NG		
TRS06CUiP	6-unit interior free-standing rack, LP		
TRS06CUeP	6-unit exterior free-standing rack, LP		

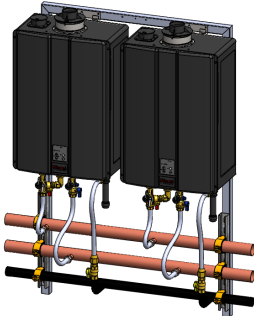
\* Part No. Legend: TR = Tankless Rack; W = Wall Hanging; S = Stand Alone; IL = Inline; ILW = Inline Wall Mount; 2/3/4/5/6 = Number of Water Heaters; i/e = Interior/Exterior; NG/LP = Natural Gas/Liquid Propane

# Specifications

## WALL-HANGING RACKS

Available Configurations

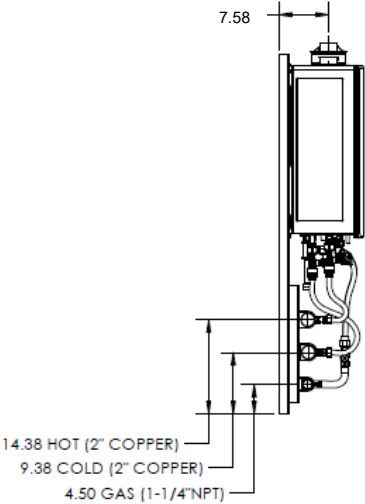
- 2-Units
- 3-Units



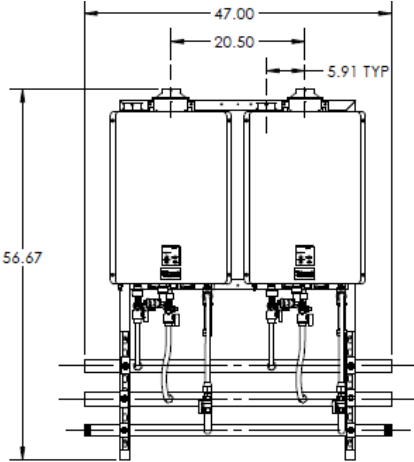
CU Series

2-Unit  
Wall-Hanging Frame

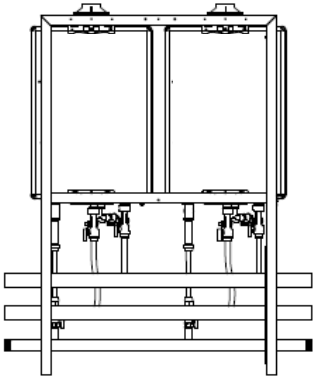
LEFT



FRONT



BACK

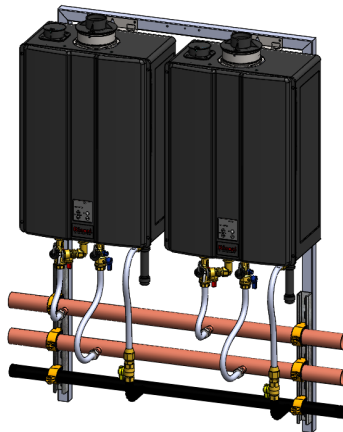


Model	Configuration	Illustration
TRW02CU		

CU Series 2-Unit Wall-Hanging Frame (Continued)

Model	TRW02CUi	TRWCU02CUe
Water Heater Model	CU199i (NG/LP)	CU199e (NG/LP)
Crate Dimensions (HxLxD) - in	66 x 70 x 35	
Weight - Fully Assembled - lbs	170	169
Weight - Shipping (total) - lbs	380	379
<b>Rack Frame - Specifications</b>		
Frame Material	14 Gauge Hot Rolled Steel 1.5" Square Tube	16 Gauge Stainless Steel 1.5" Square Tube
Frame Finish	Powder Coat	Stainless
Color	Gray	Stainless
<b>Water &amp; Gas Connections</b>		
Hot Water Trunk Line Diameter	2"	
Cold Water Trunk Line Diameter	2"	
Hot Water Trunk Line Material	Rigid Copper	
Cold Water Trunk Line Material	Rigid Copper	
Water Trunk Connection Type	2" Pipe	
Gas Trunk Line Diameter	1-1/4"	
Gas Trunk Connection Type	1-1/4" MNPT	
Gas Trunk Line Material	Sch 40 Steel	
Gas Branch Line Material	PVC Over CSST	
<b>Electric Requirements</b>		
Voltage	AC 120 Volts—60 Hz	
Maximum Current (Amperes)	8	
<b>BTU and Flow Rates for C199i, CU199e (NG/LP)</b>		
Number of Tankless Water Heaters	2	
Flow rate @ 70°F rise (gpm)	10.8	
Flow rate @ 100°F rise (gpm)	7.6	
Minimum input rate (Btuh)	15,200	
Maximum input rate (Btuh)	398,000	

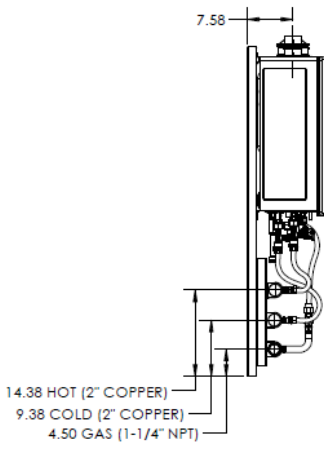
TRW02CU



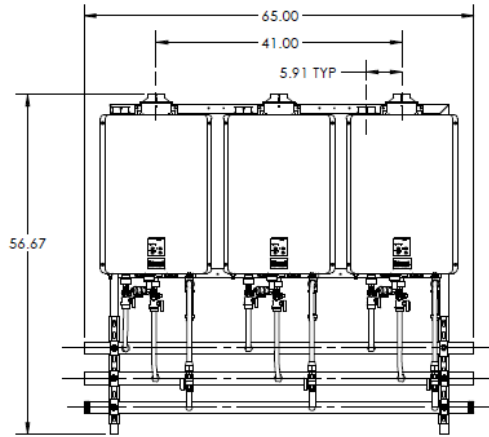
CU Series

**3-Unit  
Wall-Hanging Frame**

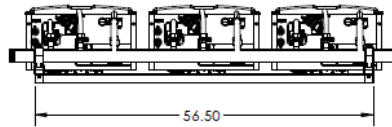
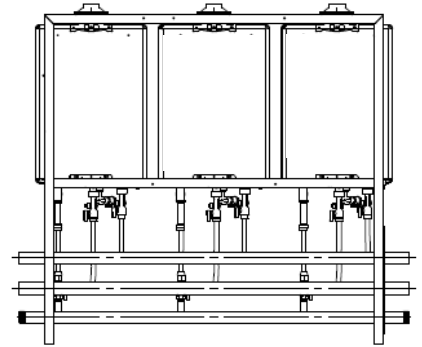
**LEFT**



**FRONT**



**BACK**



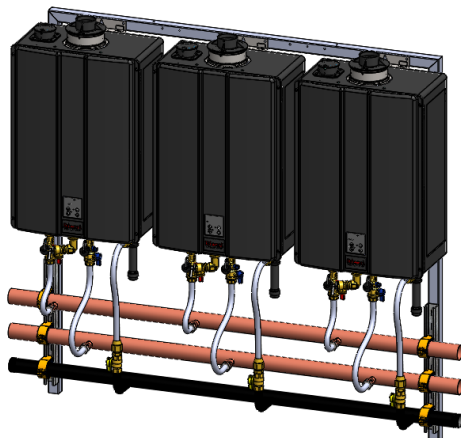
**BOTTOM**

Model	Configuration	Illustration
TRW03CU		
TRW23CU		

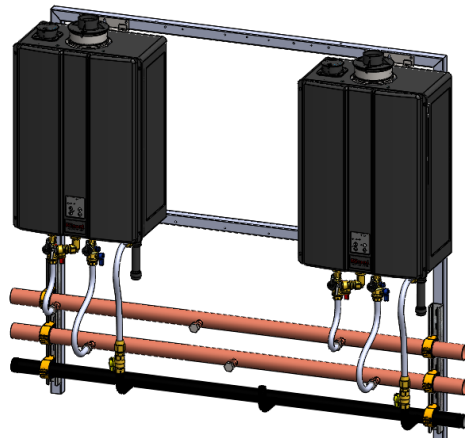
CU Series 3-Unit Wall-Hanging Frame (Continued)

Model	TRW03CUi	TRW03CUE	TRW23CUi	TRW23CUE
Water Heater Model	CU199i (NG/LP)	CU199e (NG/LP)	CU199i (NG/LP)	CU199e (NG/LP)
Crate Dimensions (HxLxD) - in	66 x 70 x 35		66 x 70 x 35	
Weight - Fully Assembled - lbs	248	244	186	183
Weight - Shipping (total) - lbs	469	465	407	402
<b>Rack Frame - Specifications</b>				
Frame Material	14 Gauge Hot Rolled Steel 1.5" Square Tube	16 Gauge Stainless Steel 1.5" Square Tube	14 Gauge Hot Rolled Steel 1.5" Square Tube	16 Gauge Stainless Steel 1.5" Square Tube
Frame Finish	Powder Coat	Stainless	Powder Coat	Stainless
Color	Gray	Stainless	Gray	Stainless
<b>Water &amp; Gas Connections</b>				
Hot Water Trunk Line Diameter	2"			
Cold Water Trunk Line Diameter	2"			
Hot Water Trunk Line Material	Rigid Copper			
Cold Water Trunk Line Material	Rigid Copper			
Water Trunk Connection Type	2" PIPE			
Gas Trunk Line Diameter	1-1/4"			
Gas Trunk Connection Type	1-1/4" MNPT			
Gas Trunk Line Material	Sch 40 Steel			
Gas Branch Line Material	PVC Over CSST			
<b>Electric Requirements</b>				
Voltage	AC 120 Volts—60 Hz			
Maximum Current (Amperes)	12		8	
<b>BTU and Flow Rates for CU199i, CU199e (NG/LP)</b>				
Number of Tankless Water Heaters	3		2	
Flow rate @ 70°F rise (gpm)	16.2		10.8	
Flow rate @ 100°F rise (gpm)	11.4		7.6	
Minimum input rate (Btuh)	15,200		15,200	
Maximum input rate (Btuh)	597,000		398,000	

TRW03CU



TRW23CU

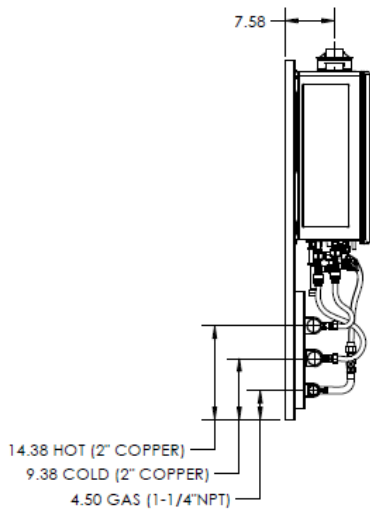




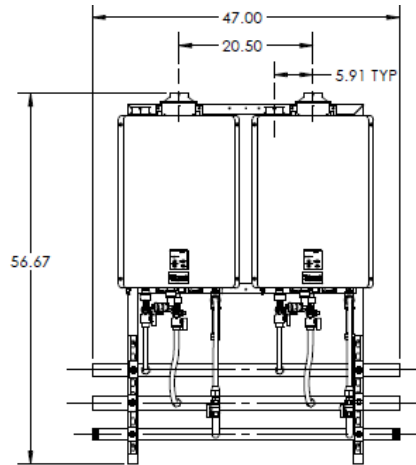
SE Series

**2-Unit  
Wall-Hanging Frame**

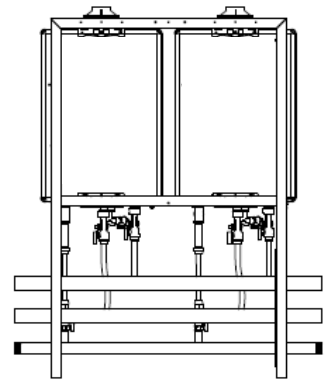
**LEFT**





**FRONT**



**BACK**



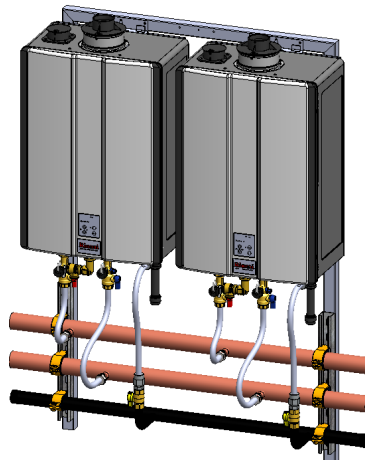
**BOTTOM**

Model	Configuration	Illustration
TRW02SE		

SE Series 2-Unit Wall-Hanging Frame (Continued)

Model	TRW02SEi	TRW02SEe
Water Heater Model	RU199i (NG/LP)	RU199e (NG/LP)
Crate Dimensions (HxLxD) - in	66 X 70 X 35	
Weight - Fully Assembled - lbs	170	169
Weight - Shipping (total) - lbs	391	390
<b>Rack Frame - Specifications</b>		
Frame Material	14 Gauge Hot Rolled Steel 1.5" Square Tube	16 Gauge Stainless Steel 1.5" Square Tube
Frame Finish	Powder Coat	Stainless
Color	Gray	Stainless
<b>Water &amp; Gas Connections</b>		
Hot Water Trunk Line Diameter	2"	
Cold Water Trunk Line Diameter	2"	
Hot Water Trunk Line Material	Rigid Copper	
Cold Water Trunk Line Material	Rigid Copper	
Water Trunk Connection Type	2" PIPE	
Gas Trunk Line Diameter	1-1/4"	
Gas Trunk Connection Type	1-1/4" MNPT	
Gas Trunk Line Material	Sch 40 Steel	
Gas Branch Line Material	PVC Over CSST	
<b>Electric Requirements</b>		
Voltage	AC 120 Volts—60 Hz	
Maximum Current (Amperes)	8	
<b>BTU and Flow Rates for RU199i, RU199e (NG/LP)</b>		
Number of Tankless Water Heaters	2	
Flow rate @ 70°F rise (gpm)	10.8	
Flow rate @ 100°F rise (gpm)	7.6	
Minimum input rate (Btuh)	15,200	
Maximum input rate (Btuh)	398,000	

**TRW02SE**

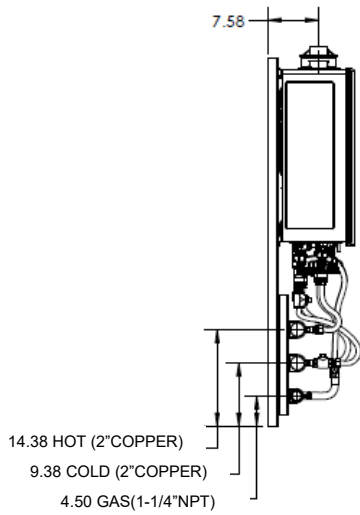


SE+ Series Featuring ThermaCirc360™

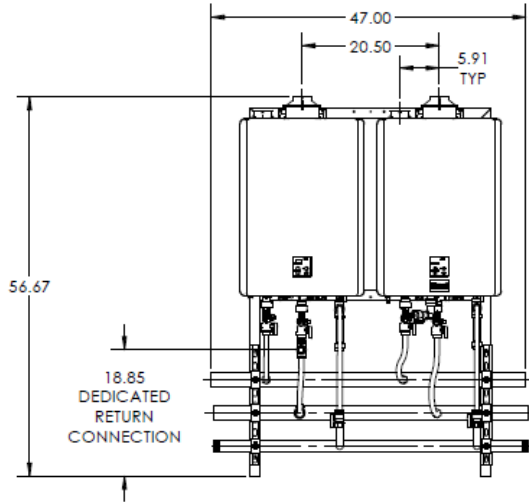
**ThermaCirc360™**  
 Wait less. Waste less.

**2-Unit  
 Wall-Hanging Frame**

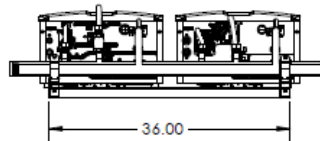
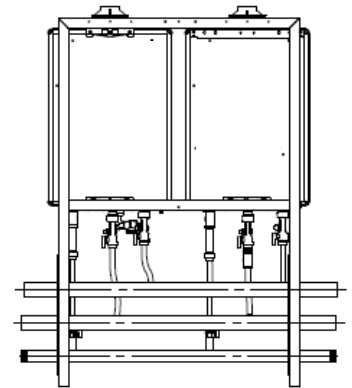
**LEFT**



**FRONT**



**BACK**



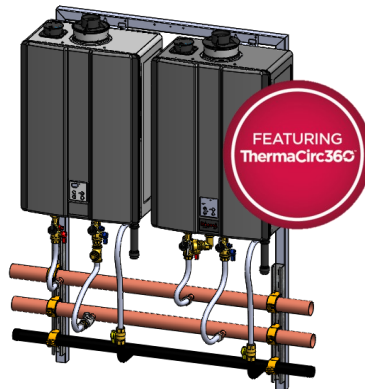
**BOTTOM**

Model	Configuration	Illustration
TRW02ST		

SE+ Series Featuring ThermaCirc360™ 2-Unit Wall-Hanging Frame (Continued)

Model	TRW02STi	TRW02STe
Water Heater Model	RUR199i AND RU199i (NG/LP)	RUR199e AND RU199e (NG/LP)
Crate Dimensions (HxLxD) - in	66 X 70 X 35	
Weight - Fully Assembled - lbs	178	177
Weight - Shipping (total) - lbs	399	398
<b>Rack Frame - Specifications</b>		
Frame Material	14 Gauge Hot Rolled Steel 1.5" Square Tube	16 Gauge Stainless Steel 1.5" Square Tube
Frame Finish	Powder Coat	Stainless
Color	Gray	Stainless
<b>Water &amp; Gas Connections</b>		
Hot Water Trunk Line Diameter	2"	
Cold Water Trunk Line Diameter	2"	
Hot Water Trunk Line Material	Rigid Copper	
Cold Water Trunk Line Material	Rigid Copper	
Water Trunk Connection Type	2" PIPE	
Gas Trunk Line Diameter	1-1/4"	
Gas Trunk Connection Type	1-1/4" MNPT	
Gas Trunk Line Material	Sch 40 Steel	
Gas Branch Line Material	PVC Over CSST	
<b>Electric Requirements</b>		
Voltage	AC 120 Volts—60 Hz	
Maximum Current (Amperes)	8	
<b>BTU and Flow Rates for RUR199i, RUR199e, RU199i, RU199e (NG/LP)</b>		
Number of Tankless Water Heaters	2	
Flow rate @ 70°F rise (gpm)	10.8	
Flow rate @ 100°F rise (gpm)	7.6	
Minimum input rate (Btuh)	15,200	
Maximum input rate (Btuh)	398,000	

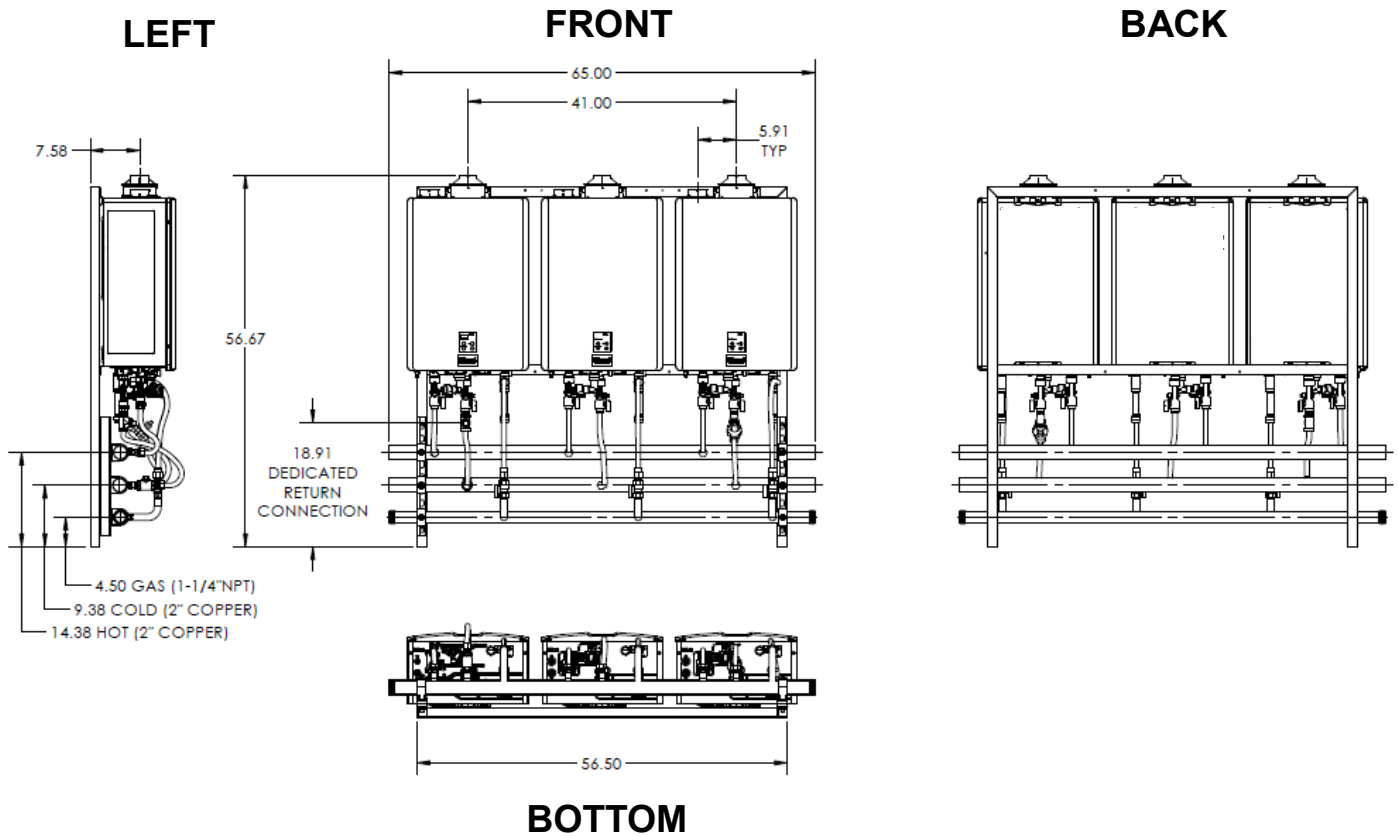
**TRW02ST**



SE+ Series Featuring ThermaCirc360™

**ThermaCirc360™**  
 Wait less. Waste less.

**3-Unit  
 Wall-Hanging Frame**

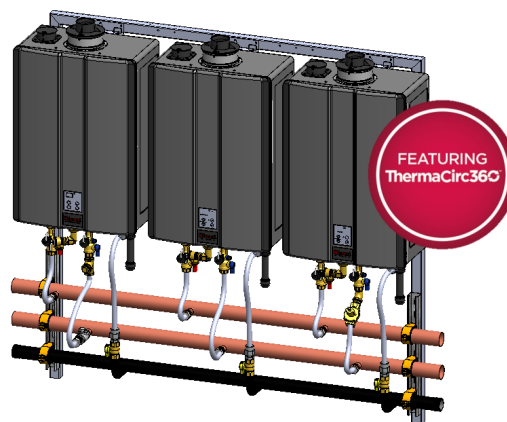


Model	Configuration	Illustration
TRW03ST		

SE+ Series Featuring ThermaCirc360™ 3-Unit Wall-Hanging Frame (Continued)

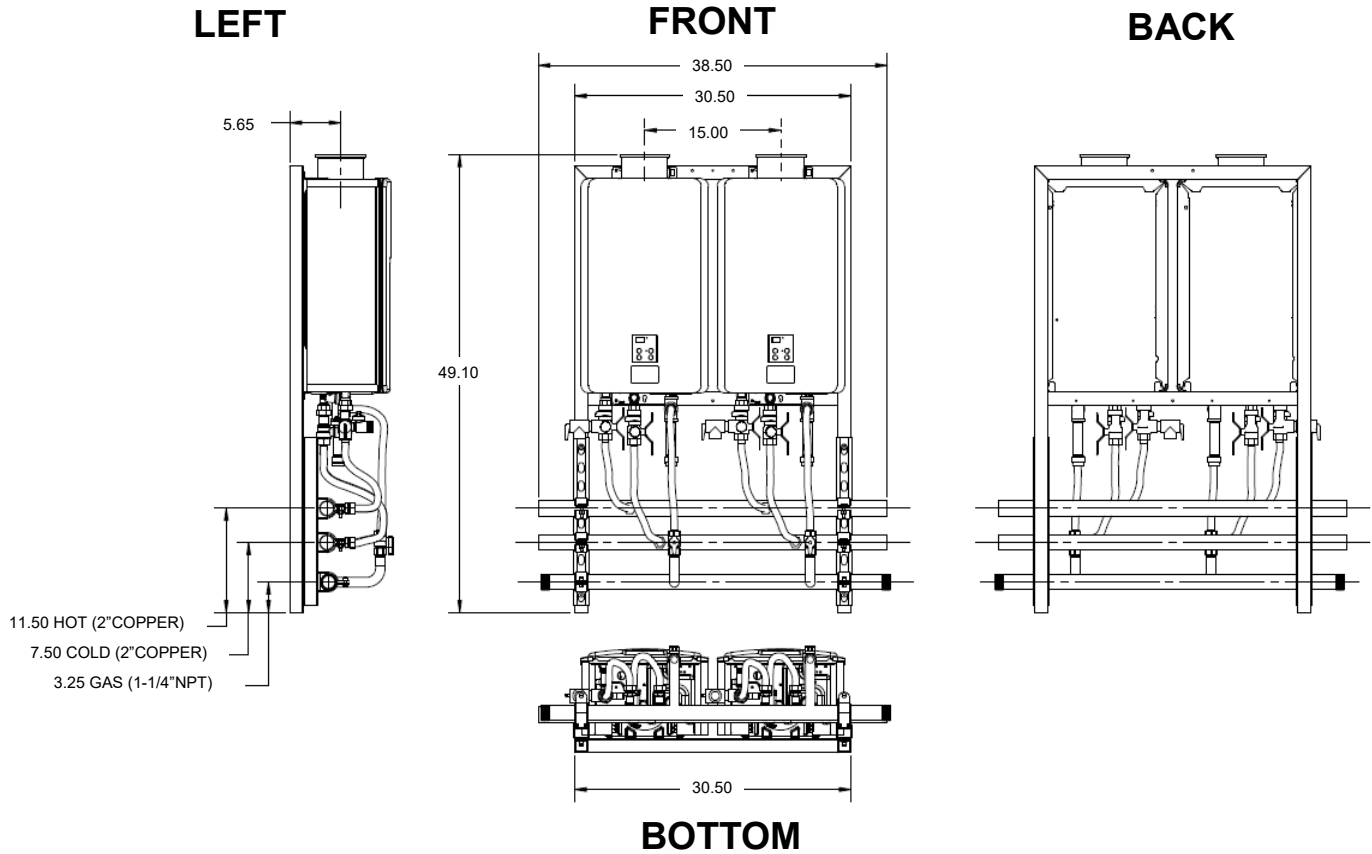
Model	TRW03STi	TRW03STe
Water Heater Model	RUR199i AND RU199i (NG/LP)	RUR199e AND RU199e (NG/LP)
Crate Dimensions (HxLxD) - in	66 x 70 x 35	
Weight - Fully Assembled - lbs	258	254
Weight - Shipping (total) - lbs	476	472
<b>Rack Frame - Specifications</b>		
Frame Material	14 Gauge Hot Rolled Steel 1.5" Square Tube	16 Gauge Stainless Steel 1.5" Square Tube
Frame Finish	Powder Coat	Stainless
Color	Gray	Stainless
<b>Water &amp; Gas Connections</b>		
Hot Water Trunk Line Diameter	2"	
Cold Water Trunk Line Diameter	2"	
Hot Water Trunk Line Material	Rigid Copper	
Cold Water Trunk Line Material	Rigid Copper	
Water Trunk Connection Type	2" PIPE	
Gas Trunk Line Diameter	1-1/4"	
Gas Trunk Connection Type	1-1/4" MNPT	
Gas Trunk Line Material	Sch 40 Steel	
Gas Branch Line Material	PVC Over CSST	
<b>Electric Requirements</b>		
Voltage	AC 120 Volts—60 Hz	
Maximum Current (Amperes)	12	
<b>BTU and Flow Rates for RUR199i, RUR199e, RU199i, RU199e (NG/LP)</b>		
Number of Tankless Water Heaters	3	
Flow rate @ 70°F rise (gpm)	16.2	
Flow rate @ 100°F rise (gpm)	11.4	
Minimum input rate (Btuh)	15,200	
Maximum input rate (Btuh)	597,000	

**TRW03ST**



HE Series

2-Unit  
Wall-Hanging Frame

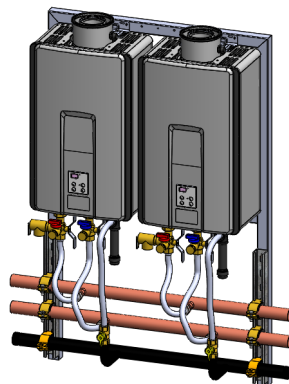


Model	Configuration	Illustration
TRW02HE		

HE Series 2-Unit Wall-Hanging Frame (Continued)

Model	TRW02HEi	TRW02HEXi	TRW02HEe
Water Heater Model	RL94i (NG/LP)	RLX94i (NG)	RL94e (NG/LP)
Crate Dimensions (HxLxD) - in	66 x 67 x 35		
Weight - Fully Assembled - lbs	120	120	120
Weight - Shipping (total) - lbs	334	334	334
<b>Rack Frame - Specifications</b>			
Frame Material	14 Gauge Hot Rolled Steel 1.5" Square Tube		16 Gauge Stainless Steel 1.5" Square Tube
Frame Finish	Powder Coat		Stainless
Color	Gray		Stainless
<b>Water &amp; Gas Connections</b>			
Hot Water Trunk Line Diameter	1-1/2"		
Cold Water Trunk Line Diameter	1-1/2"		
Hot Water Trunk Line Material	Rigid Copper		
Cold Water Trunk Line Material	Rigid Copper		
Water Trunk Connection Type	1-1/2" PIPE		
Gas Trunk Line Diameter	1-1/4"		
Gas Trunk Connection Type	1-1/4" MNPT		
Gas Trunk Line Material	Sch 40 Steel		
Gas Branch Line Material	PVC Over CSST		
<b>Electric Requirements</b>			
Voltage	AC 120 Volts—60 Hz		
Maximum Current (Amperes)	8		
<b>BTU and Flow Rates for RL94i, RLX94i, RL94e (NG/LP)</b>			
Number of Tankless Water Heaters	2	2	2
Flow rate @ 70°F rise (gpm)	9.5	9	9.5
Flow rate @ 100°F rise (gpm)	6.6	6.3	6.6
Minimum input rate (Btuh)	10,300	10,300	10,300
Maximum input rate (Btuh)	398,000	384,000	398,000

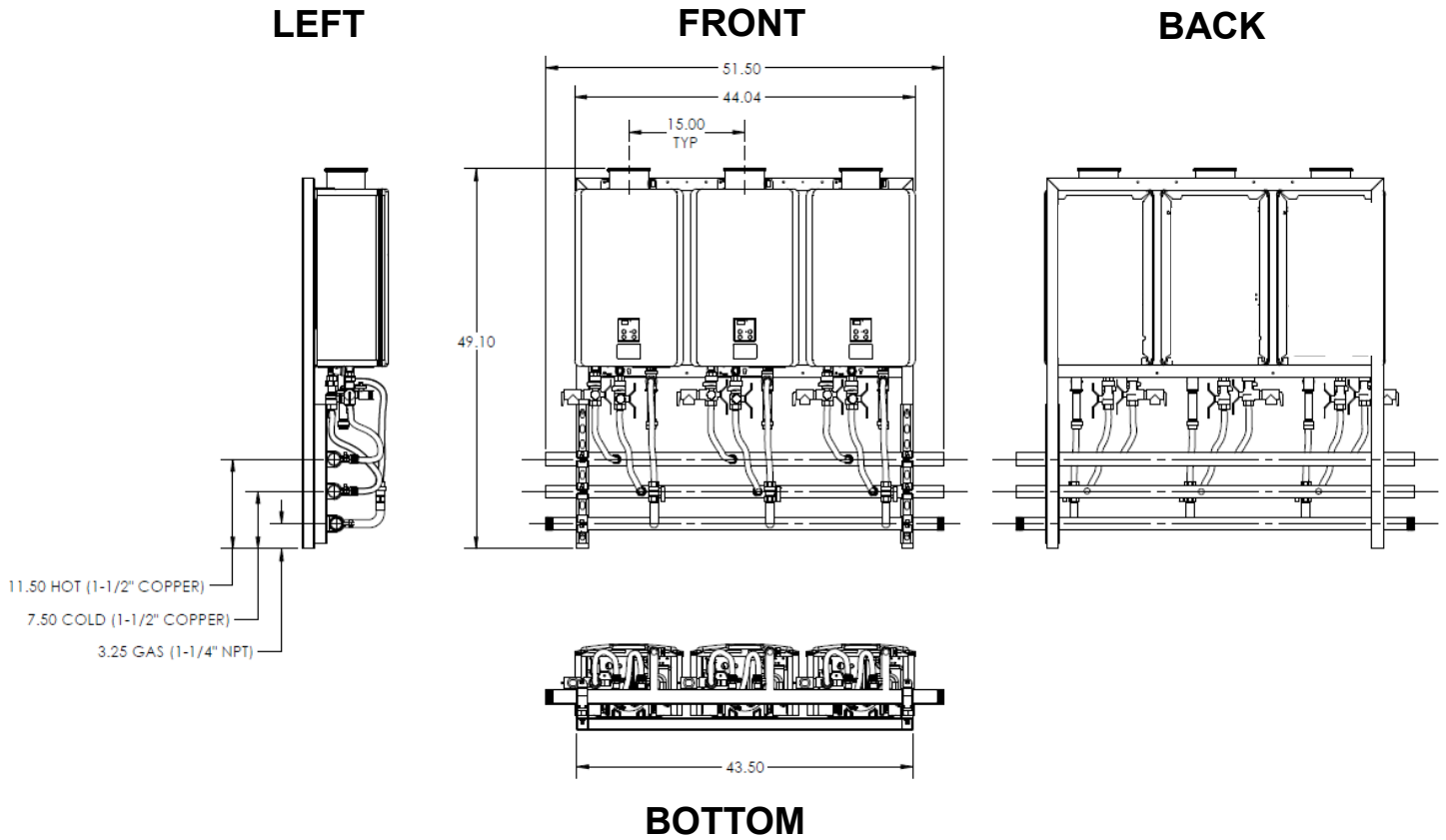
**TRW02HE / TRW02HEX**







HE Series

3-Unit  
Wall-Hanging Frame

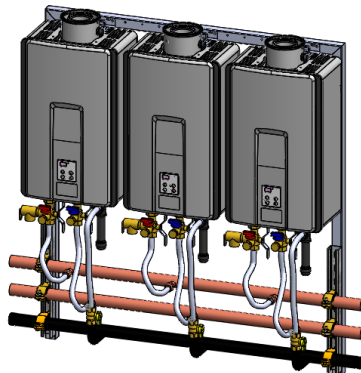


Model	Configuration	Illustration
TRW03HE		

HE Series 3-Unit Wall-Hanging Frame (Continued)

Model	TRW03HEi	TRW03HEXi	TRW03HEe
Water Heater Model	RL94i (NG/LP)	RLX94i (NG)	RL94e (NG/LP)
Crate Dimensions (HxLxD) - in	66 x 67 x 35		
Weight - Fully Assembled - lbs	160	160	160
Weight - Shipping (total) - lbs	374	374	374
<b>Rack Frame - Specifications</b>			
Frame Material	14 Gauge Hot Rolled Steel 1.5" Square Tube		16 Gauge Stainless Steel 1.5" Square Tube
Frame Finish	Powder Coat		Stainless
Color	Gray		Stainless
<b>Water &amp; Gas Connections</b>			
Hot Water Trunk Line Diameter	1-1/2"		
Cold Water Trunk Line Diameter	1-1/2"		
Hot Water Trunk Line Material	Rigid Copper		
Cold Water Trunk Line Material	Rigid Copper		
Water Trunk Connection Type	1-1/2" PIPE		
Gas Trunk Line Diameter	1-1/4"		
Gas Trunk Connection Type	1-1/4" MNPT		
Gas Trunk Line Material	Sch 40 Steel		
Gas Branch Line Material	PVC Over CSST		
<b>Electric Requirements</b>			
Voltage	AC 120 Volts—60 Hz		
Maximum Current (Amperes)	12		
<b>BTU and Flow Rates for RL94i, RLX94i, RL94e (NG/LP)</b>			
Number of Tankless Water Heaters	3	3	3
Flow rate @ 70°F rise (gpm)	14	13.5	14
Flow rate @ 100°F rise (gpm)	9.8	9.4	9.8
Minimum input rate (Btuh)	10,300	10,300	10,300
Maximum input rate (Btuh)	597,000	576,000	597,000

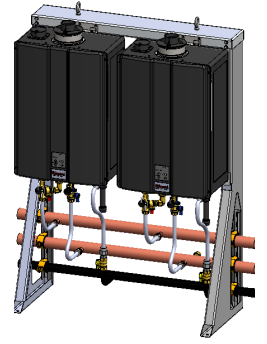
**TRW03HE / TRW03HEX**



# WALL-MOUNT RACKS

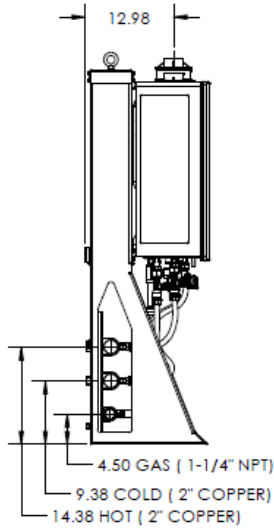
## Available Configurations

- 2-Units
- 3-Units

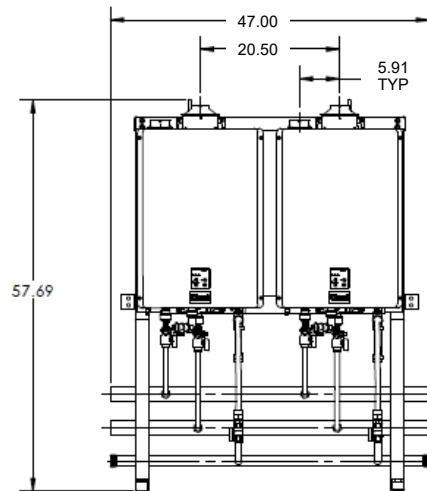


## 2-Unit Wall-Mount Frame

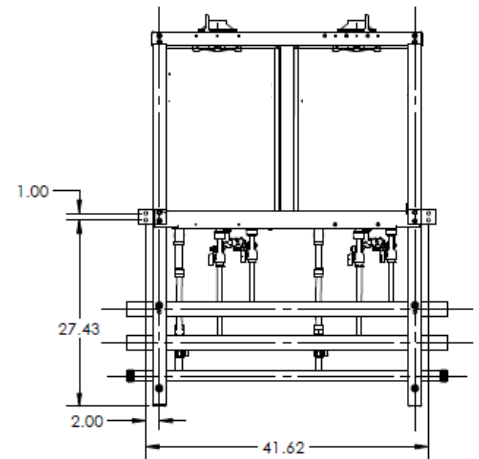
**LEFT**



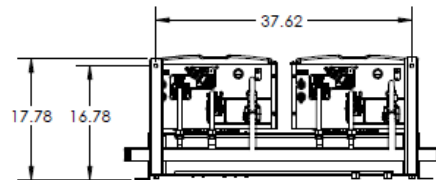
**FRONT**



**BACK**



**BOTTOM**

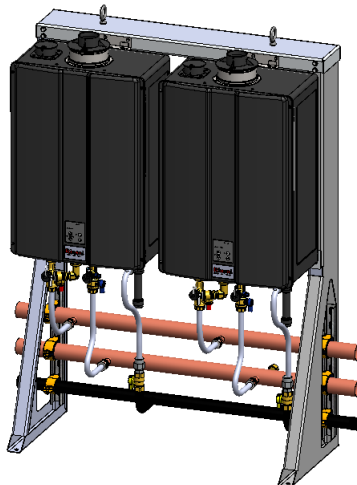


Model	Configuration	Illustration
TRS02ILWCU		

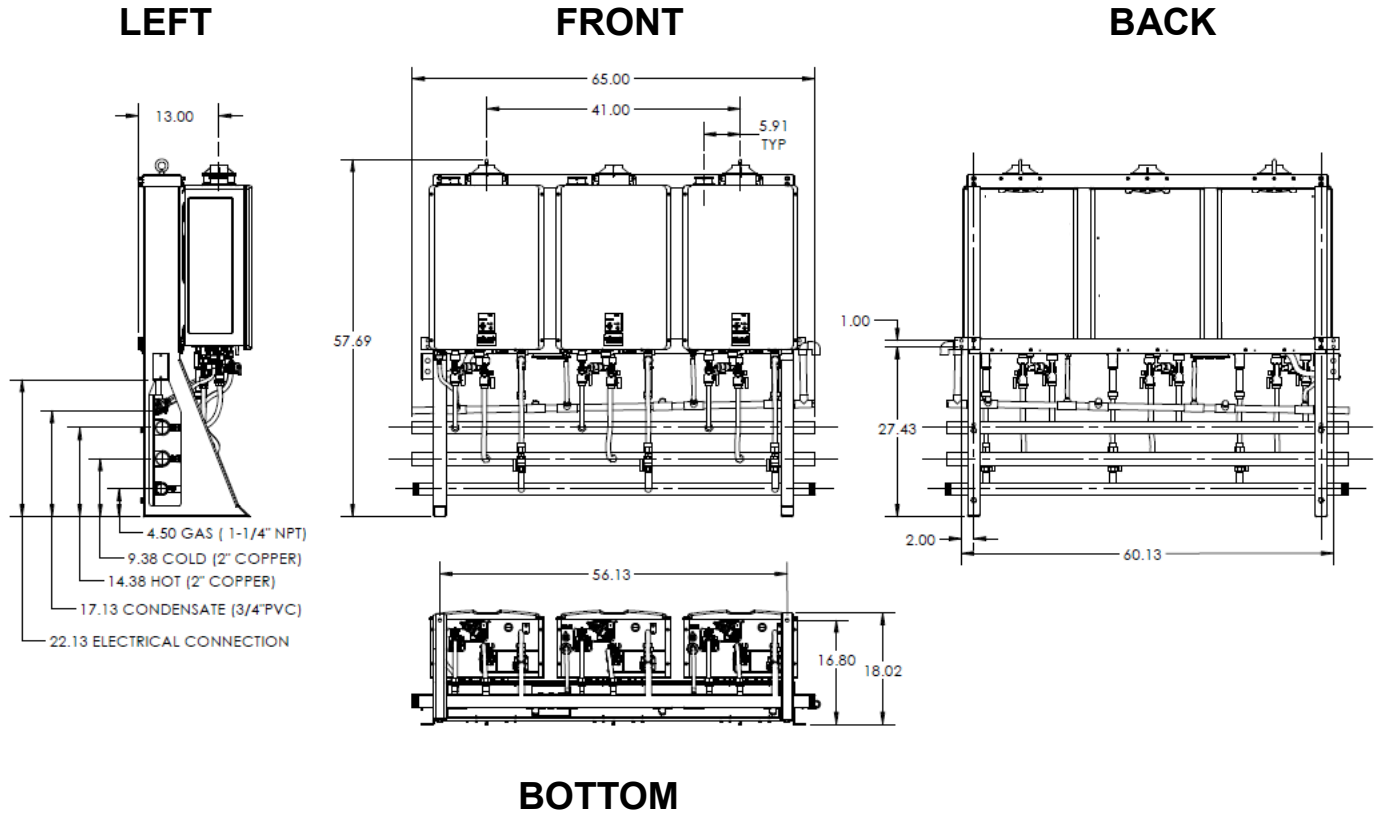
2-Unit Wall-Mount Frame (Continued)

Model	TRS02ILWCU
Water Heater Model	CU199i, CU199e (NG/LP)
Crate Dimensions (HxLxD) - in	66 x 70x 35
Weight - Fully Assembled - lbs	208
Weight - Shipping (total) - lbs	410
<b>Rack Frame - Specifications</b>	
Frame Rail Type	Sheet Metal
Frame Material	Aluminum (0.090 5052-H32)
Frame Finish	Powder Coat
Color	Gray
<b>Water &amp; Gas Connections</b>	
Hot Water Trunk Line Diameter	2"
Cold Water Trunk Line Diameter	2"
Hot Water Trunk Line Material	Rigid Copper
Cold Water Trunk Line Material	Rigid Copper
Water Trunk Connection Type	2" PIPE
Gas Trunk Line Diameter	1-1/4"
Gas Trunk Connection Type	1-1/4" MNPT
Gas Trunk Line Material	Sch 40 Steel
Gas Branch Line Material	PVC Over CSST
<b>Electric Requirements</b>	
Voltage	AC 120 Volts—60 Hz
Maximum Current (Amperes)	8
<b>BTU and Flow Rates for CU199i, CU199e (NG/LP)</b>	
Number of Tankless Water Heaters	2
Flow rate @ 70°F rise (gpm)	10.8
Flow rate @ 100°F rise (gpm)	7.6
Minimum input rate (Btuh)	15,200
Maximum input rate (Btuh)	398,000

**TRS02ILWCU**



# 3-Unit Wall-Mount Frame

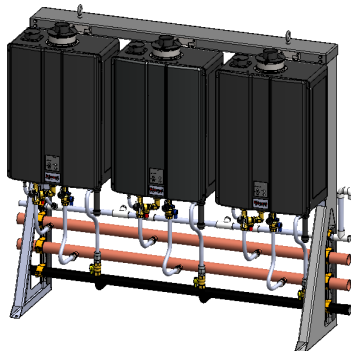


Model	Configuration	Illustration
TRS031LWCU		
TRS231LWCU		

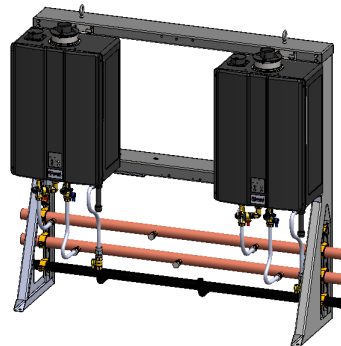
3-Unit Wall-Mount Frame (Continued)

Model	TRS03ILWCU	TRS23ILWCU
Water Heater Model	CU199i, CU199e (NG/LP)	
Crate Dimensions (HxLxD) - in	66 x 70 x 35	
Weight - Fully Assembled - lbs	297	222
Weight - Shipping (total) - lbs	497	424
<b>Rack Frame - Specifications</b>		
Frame Rail Type	Sheet Metal	
Frame Material	Aluminum (0.090 5052-H32)	
Frame Finish	Powder Coat	
Color	Gray	
<b>Water, Gas, and Condensate Connections</b>		
Hot Water Trunk Line Diameter	2"	
Cold Water Trunk Line Diameter	2"	
Hot Water Trunk Line Material	Rigid Copper	
Cold Water Trunk Line Material	Rigid Copper	
Water Trunk Connection Type	2" PIPE	
Gas Trunk Line Diameter	1-1/4"	
Gas Trunk Connection Type	1-1/4" MNPT	
Gas Trunk Line Material	Sch 40 Steel	
Gas Branch Line Material	PVC Over CSST	
Condensate Trunk Line Diameter	3/4"	N/A
Condensate Trunk Line Material	Sch-40 PVC	N/A
Condensate Trunk Connection Type	3/4" Pipe	N/A
<b>Electric Requirements</b>		
Prewired Electrical Assembly	Yes (Indoor Models Only)	N/A
Voltage	AC 120 Volts—60 Hz	
Maximum Current (Amperes)	12	8
<b>BTU and Flow Rates for CU199i, CU199e (NG/LP)</b>		
Number of Tankless Water Heaters	3	2
Flow rate @ 70°F rise (gpm)	16.2	10.8
Flow rate @ 100°F rise (gpm)	11.4	7.6
Minimum input rate (Btuh)	15,200	15,200
Maximum input rate (Btuh)	597,000	398,000

TRS03ILWCU



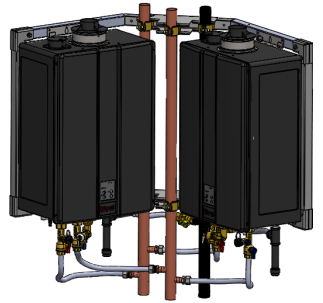
TRS23ILWCU



# CORNER-HANGING RACKS

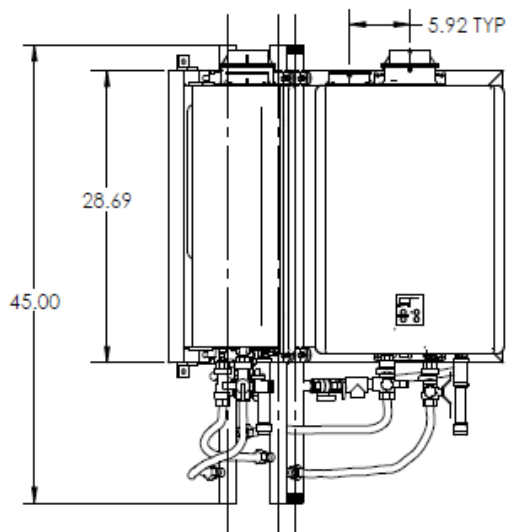
## Available Configurations

- 2-Units

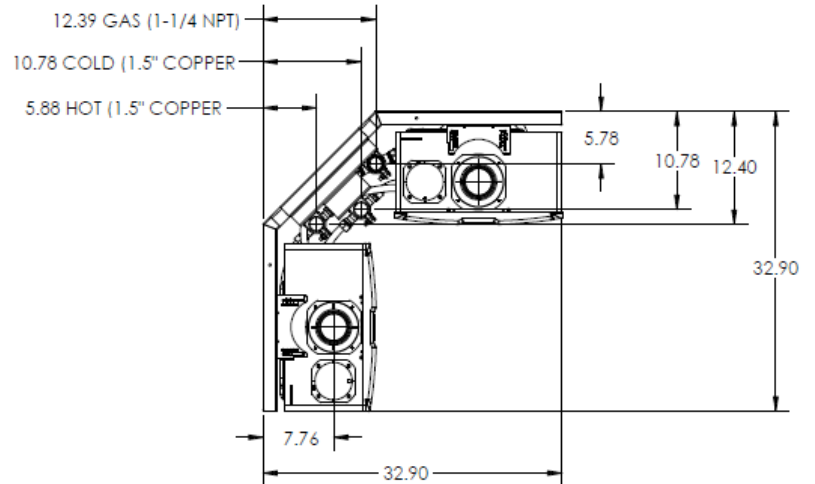


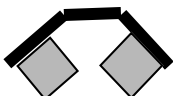

## 2-Unit Corner-Hanging Frame

**FRONT**



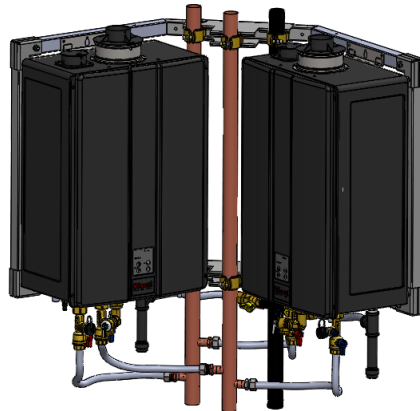
**TOP**



Model	Configuration	Illustration
TRC02CU		

2-Unit Corner-Hanging Frame (Continued)

<b>Model</b>	<b>TRC02CUi</b>
Water Heater Model	CU199i (NG/LP)
Crate Dimensions (HxLxD) - in	31.5 x 48 x 50
Weight - Fully Assembled - lbs	224
Weight - Shipping (total) - lbs	356
<b>Rack Frame - Specifications</b>	
Frame Material	14 Gauge Hot Rolled Steel 1.5" Square Tube
Frame Finish	Powder Coat
Color	Gray
<b>Water &amp; Gas Connections</b>	
Hot Water Trunk Line Diameter	1-1/2"
Cold Water Trunk Line Diameter	1-1/2"
Hot Water Trunk Line Material	Rigid Copper
Cold Water Trunk Line Material	Rigid Copper
Water Trunk Connection Type	1-1/2" PIPE
Gas Trunk Line Diameter	1-1/4"
Gas Trunk Connection Type	1-1/4" MNPT
Gas Trunk Line Material	Sch 40 Steel
Gas Branch Line Material	PVC Over CSST
<b>Electric Requirements</b>	
Voltage	AC 120 Volts—60 Hz
Maximum Current (Amperes)	8
<b>BTU and Flow Rates for CU199i, (NG/LP)</b>	
Number of Tankless Water Heaters	2
Flow rate @ 70°F rise (gpm)	10.8
Flow rate @ 100°F rise (gpm)	7.6
Minimum input rate (Btuh)	15,200
Maximum input rate (Btuh)	398,000

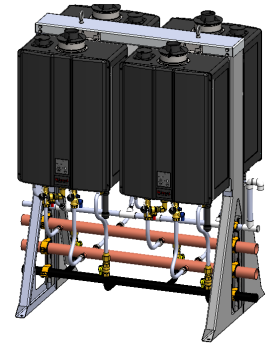




# FREE-STANDING RACKS

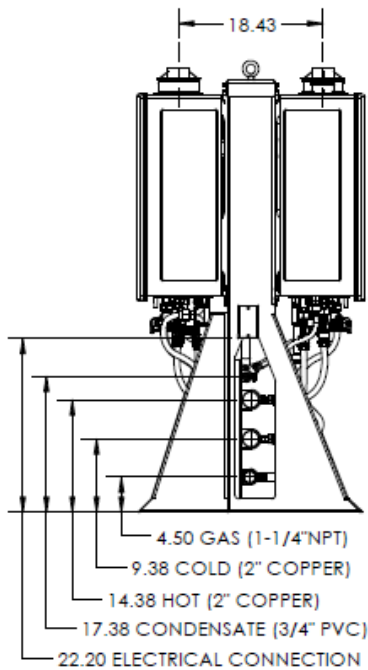
## Available Configurations

- 2-Units, 3-Units, 4-Units, 5-Units, 6-Units

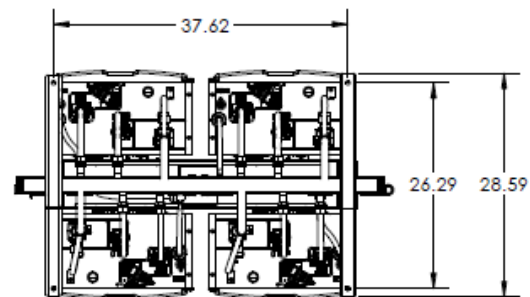
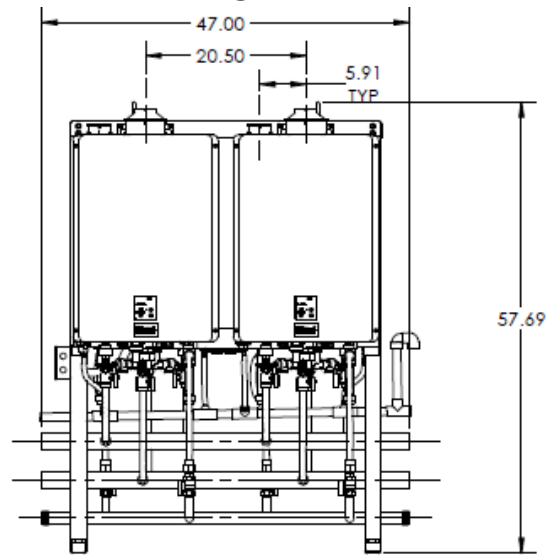


## 4-Unit Free-Standing Frame

LEFT



FRONT

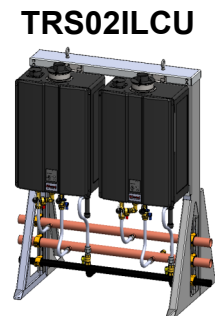
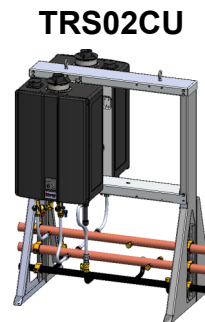
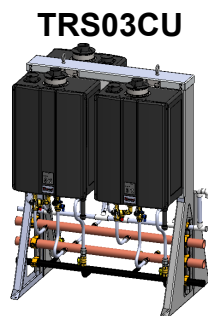
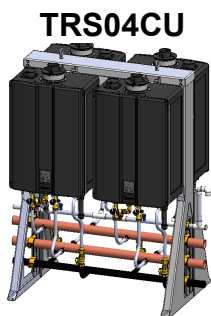


Model	Configuration	Illustration
TRS04CU		
TRS03CU		

Model	Configuration	Illustration
TRS02ILCU	Inline (facing same direction)	
TRS02CU	Back to Back	

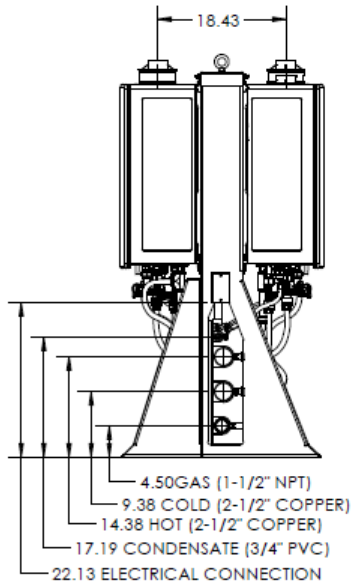
4-Unit Free-Standing Frame (Continued)

Model	TRS04CU	TRS03CU	TRS02CU	TRS02ILCU
Water Heater Model	CU199i, CU199e (NG/LP)			
Crate Dimensions (HxLxD) - in	66 x 70 x 35			
Weight - Fully Assembled - lbs	365	290	214	214
Weight - Shipping (total) - lbs	562	490	416	416
<b>Rack Frame - Specifications</b>				
Frame Rail Type	Sheet Metal			
Frame Material	Aluminum (0.090 5052-H32)			
Frame Finish	Powder Coat			
Color	Gray			
<b>Water &amp; Gas Connections</b>				
Hot Water Trunk Line Diameter	2"			
Cold Water Trunk Line Diameter	2"			
Hot Water Trunk Line Material	Rigid Copper			
Cold Water Trunk Line Material	Rigid Copper			
Water Trunk Connection Type	2" PIPE			
Gas Trunk Line Diameter	1-1/4"			
Gas Trunk Connection Type	1-1/4" MNPT			
Gas Trunk Line Material	Sch 40 Steel			
Gas Trunk Branch Line Material	PVC Over CSST			
Condensate Trunk Line Diameter	3/4"			N/A
Condensate Trunk Material	Sch-40 PVC			N/A
Condensate Trunk Connection Type	3/4" Pipe			N/A
<b>Electric Requirements</b>				
Prewired Electrical Assembly	Yes (Indoor Models Only)			N/A
Voltage	AC 120 Volts—60 Hz			
Maximum Current (Amperes)	16	12		8
<b>BTU and Flow Rates for CU199i, CU199e (NG/LP)</b>				
Number of Tankless Water Heaters	4	3		2
Flow rate @ 70°F rise (gpm)	21.6	16.2		10.8
Flow rate @ 100°F rise (gpm)	15.2	11.4		7.6
Minimum input rate (Btuh)	15,200			
Maximum input rate (Btuh)	796,000	597,000		398,000

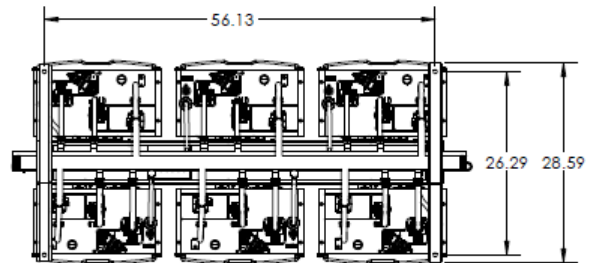
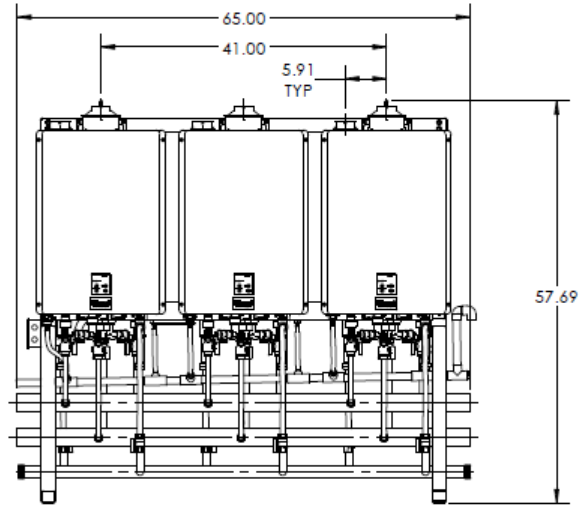


# 6-Unit Free-Standing Frame

**LEFT**



**FRONT**

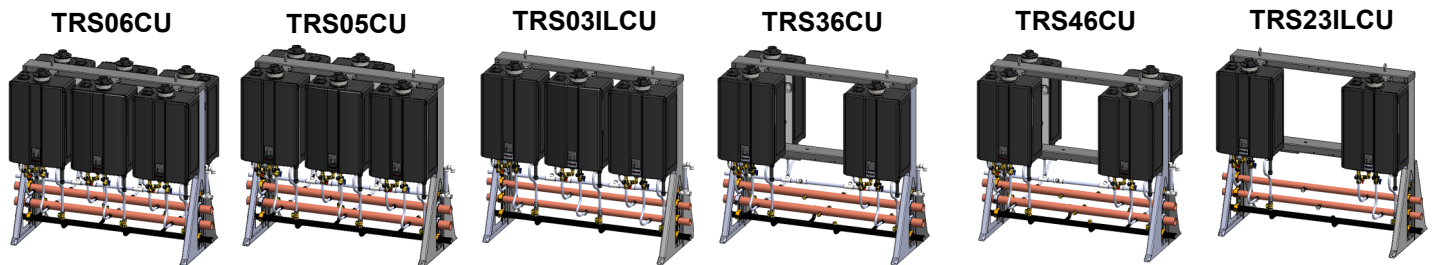


**BOTTOM**

Model	Configuration	Illustration	Model	Configuration	Illustration
TRS06CU			TRS36CU		
TRS05CU			TRS46CU		
TRS03ILCU			TRS23ILCU		

6-Unit Free-Standing Frame (Continued)

Rack Frame - Specifications						
Frame Rail Type	Sheet Metal					
Frame Material	Aluminum (0.090 5052-H32)					
Frame Finish	Powder Coat					
Color	Gray					
<b>Water &amp; Gas Connections</b>						
Hot Water Trunk Line Diameter	2-1/2"			2"		
Cold Water Trunk Line Diameter	2-1/2"			2"		
Hot Water Trunk Line Material	Rigid Copper					
Cold Water Trunk Line Material	Rigid Copper					
Water Trunk Connection Type	2-1/2" PIPE			2" PIPE		
Gas Trunk Line Diameter	1-1/2"			1-1/4"		
Gas Trunk Connection Type	1-1/2" MNPT			1-1/4"MNPT		
Gas Trunk Line Material	Sch 40 Steel					
Gas Branch Line Material	PVC Over CSST					
Condensate Trunk Line Diameter	3/4"					N/A
Condensate Trunk Line Material	Sch-40 PVC					N/A
Condensate Trunk Connection Type	3/4" Pipe					N/A
<b>Electric Requirements</b>						
Prewired Electrical Assembly	Yes (Indoor Models Only)					N/A
Voltage	AC 120 Volts—60 Hz					
Max Current (Amperes)	24	20	16	12	12	8
<b>BTU and Flow Rates for CU199i, CU199e (NG/LP)</b>						
Number of Tankless Water Heaters	6	5	3	4	2	
Flow rate @ 70°F rise (gpm)	32.4	27.0	16.2	21.6	10.8	
Flow rate @ 100°F rise (gpm)	22.8	19.0	11.4	15.1	7.6	
Minimum input rate (Btuh)	15,200					
Maximum input rate (Btuh)	1,194,000	995,000	597,000	796,000	398,000	



# NOTES



Learn more about Rinnai high-performance Tankless Water Heaters, Hybrid Water Heating Systems, Boilers, Vent-Free Fan Convectors and EnergySaver® Direct Vent Wall Furnaces at:

[rinnai.us](http://rinnai.us) | [rinnai.ca](http://rinnai.ca)

# Rinnai®

Rinnai America Corporation • 103 International Drive, Peachtree City, GA 30269  
1-800-621-9419 • [rinnai.us](http://rinnai.us)

©2018 Rinnai America Corporation. Rinnai America Corporation continually updates materials, and as such, content is subject to change without notice.

Local, state, provincial, federal and national fuel gas codes must be adhered to prior to and upon installation.